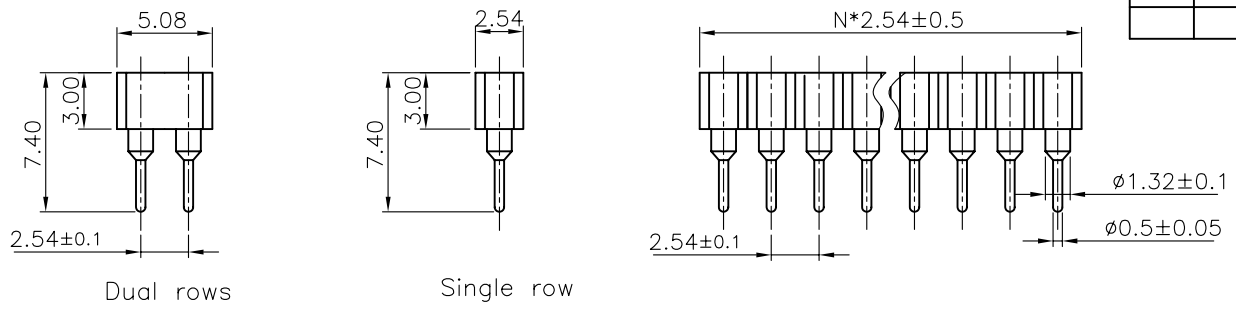


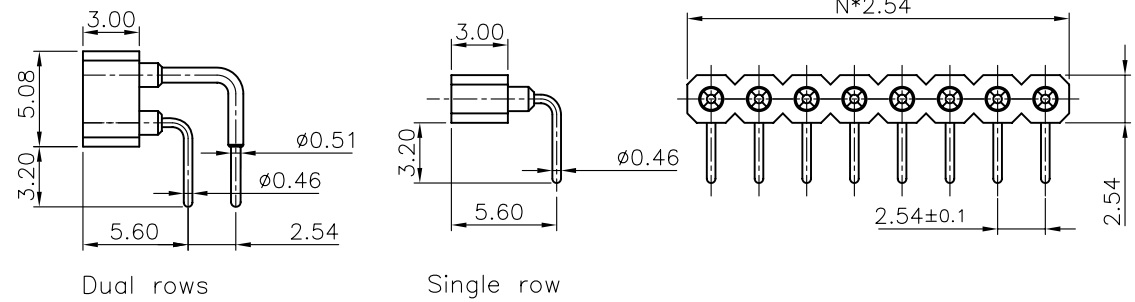
REV.	DESCRIPTION	DRAWN	CHECKED	APPROVED
A	NEW RELEASE	LL 07/02/06'		

- NOTES:
- ELECTRICAL CHARACTERISTICS:
    - CONTACT RESISTANCE: 20mΩ Max.
    - DIELECTRIC WITHSTANDING VOLTAGE: 500V AC(rms) FOR 1 MINUTE.
    - INSULATION RESISTANCE: 1000MΩ Min.
  - ENVIRONMENT CHARACTERISTICS:
    - OPERATING TEMPERATURE: -40°C~+105°C.

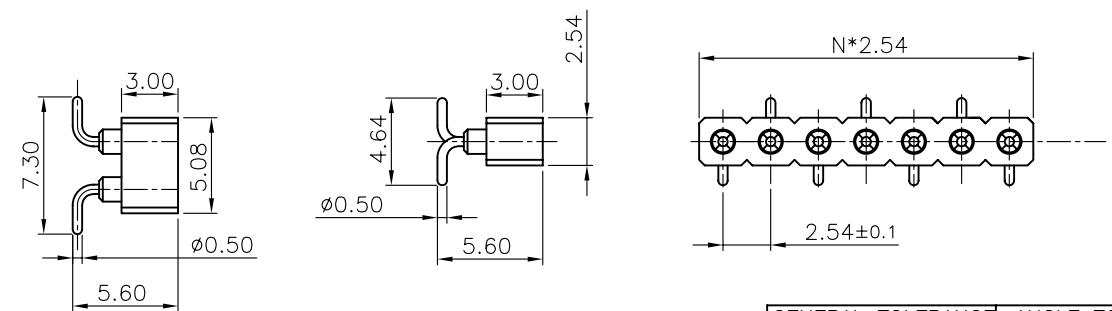
3. PRODUCT NUMBER CODE:
- DS1002-01 - X X X X
- Clip plating
    - Tin 150u"
    - Tin 200u"
    - G/F
    - Gold 3u"
    - Gold 10u"
    - Gold 15u"
  - Pin plating
    - Tin 150u"
    - Tin 200u"
    - G/F
    - Gold 3u"
    - Gold 10u"
    - Gold 15u"
  - Mounting type
    - V: V/T TYPE
    - R: R/A TYPE
    - S: SMT TYPE
  - No. of contacts
    - 1\*1 - 1\*64
    - 2\*1 - 2\*40



V/T TYPE



R/A TYPE



SMT TYPE

N: No. of contacts

GENERAL TOLERANCE		ANGLE TOLERANCE	
X.	±0.60	X.	±5°
.X	±0.38	.X	±3°
.XX	±0.25	.XX	±2°

DRAWING TYPE	CUSTOMER		
SCALE	1:1	SHEET	10F1
DRAWING NO.	C-DS1002-01-XXXX		

PROJECTION		TITLE	IC SOCKET R/A & V/T & SMT
UNITS	mm		PITCH 2.54mm
SHEET SIZE	A4	SERIES	DS1002-01 SERIES

晨翔电子有限公司  
CONNFLY CONNFLY ELECTRONIC CO. LTD