

REV.	DESCRIPTION	DRAWN	CHECKED	APPROVED
A	NEW RELEASE	LL 07/01/06'		

NOTES:

- ELECTRICAL:
 - Current rating: 3Amps/contact max.
 - Contact resistance: $\leq 20m\Omega$ /contact.
 - Insulation resistance: $\geq 1000M\Omega$ at $V=100V$.
 - Operating voltage: 60V AC/DC.

2. PRODUCT NUMBER CODE:

DS1002-07 - X X X X X

DIM L TYPE
 1: TYPE 1
 2: TYPE 2
 3: TYPE 3
 4: TYPE 4
 5: TYPE 5
 6: TYPE 6
 7: TYPE 7
 8: TYPE 8

CONTACT TYPE
 1: TYPE 1
 2: TYPE 2

CLIP PLATING
 1: Tin 150u"
 2: Tin 200u"
 3: G/F
 4: Gold 3u"
 5: Gold 10u"
 6: Gold 15u"

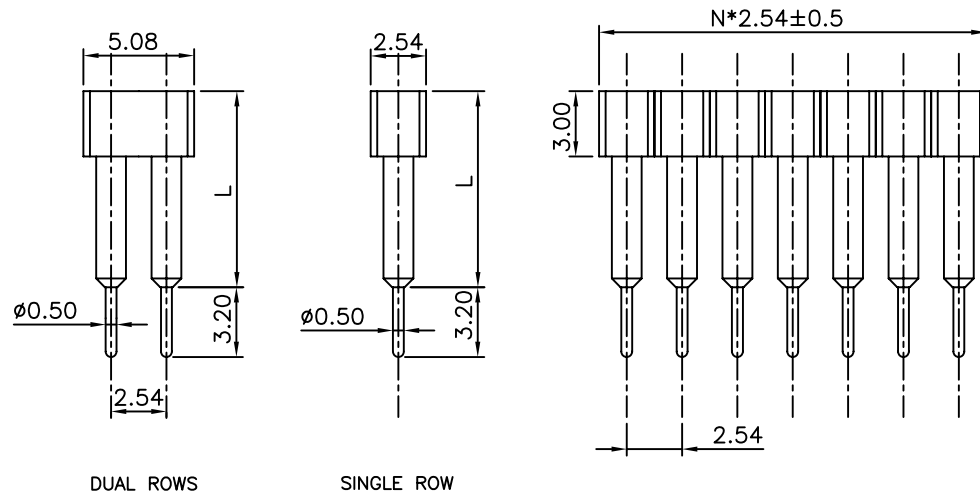
PIN PLATING
 1: Tin 150u"
 2: Tin 200u"
 3: G/F
 4: Gold 3u"
 5: Gold 10u"
 6: Gold 15u"

No. OF CONTACTS
 1*1 to 1*40
 2*2 to 2*40
 SERIES NO
 DS1002-07

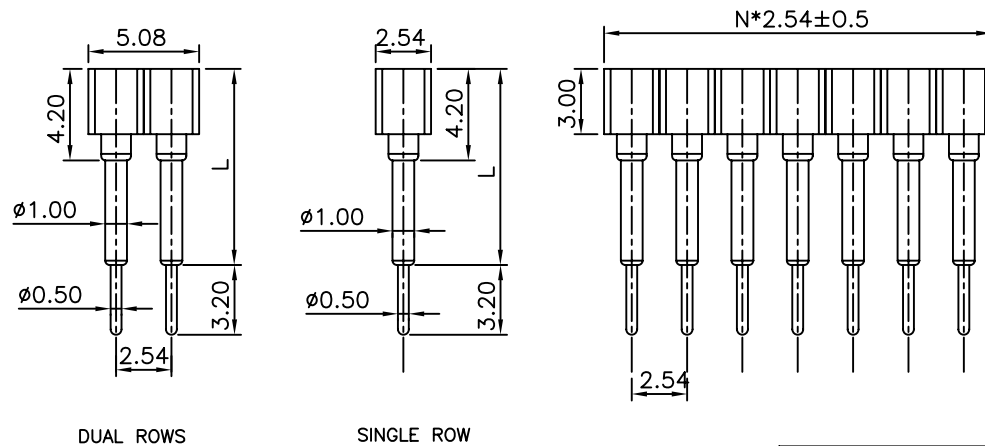
TABLE A

TYPE	DIMENSION (L)
1	6.00
2	7.00
3	8.00
4	9.00
5	10.00
6	11.00
7	12.00
8	14.60
9	

TYPE 1




TYPE 2



GENERAL TOLERANCE		ANGLE TOLERANCE	
X.	±0.60	X.	±5°
.X	±0.38	.X	±3°
.XX	±0.25	.XX	±2°

PROJECTION	TITLE	SIP IC SOCKET PITCH 2.54mm	
UNITS	mm	MATING PIN $\phi 0.47$	
SHEET SIZE	A4	SERIES	DS1002-07 SERIES

DRAWING TYPE	CUSTOMER		
SCALE	1:1	SHEET	10F1
DRAWING NO.	C-DS1002-07-XXXXX		

 晨翔电子有限公司
CONNFLY CONNFLY ELECTRONIC CO. LTD