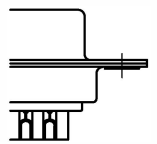
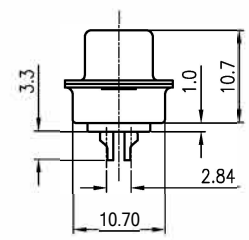
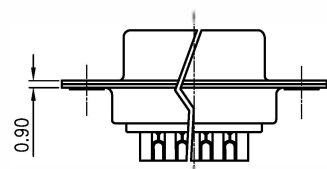
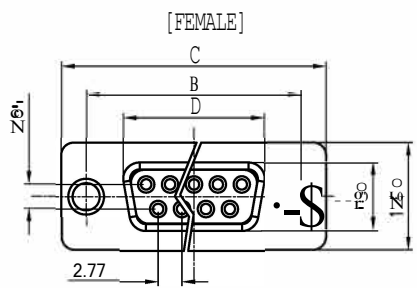


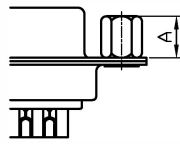
REV.	DESCRIPTION	DRAWN	CHECKED	APPROVED
A	NEW RELEASE	LJH 09/24/05'		LJC 09/24/05'
B	ADD 50pin drawing	LJC 02/10/07'		LJC 06/16/07'
C	ADD BR IYPE	YCH 07/10/07'		

NOTES:

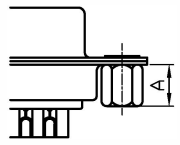
- ELECTRICAL CHARACTERISTICS:
    - CONTACT RESISTANCE: 20mΩ Max. INITIAL
    - DIELECTRIC WITHSTANDING VOLTAGE: 500V AC(rms) FOR 1 MINUTE.
    - INSULATION RESISTANCE: 1000MΩ Min.
  - ENVIRONMENT CHARACTERISTICS: TEMPERATURE RANGE: -45°C + 105°C.
  - PART NUMBER: DS1033
  - PRODUCT NUMBER CODE: DS1033-XX XX XX X
- SCREW DIM. A  
 S: Stondord(W/O nut)  
 1: 5.00  
 2: 3.00  
 3: 5.20  
 4: 4.80  
 5: 5.80  
 6: 4.00
- SCREW TYPE  
 S: Stondord(W/O nut)  
 1: CC IYPE  
 2: CS IYPE  
 3: CSH IYPE
- CONTACT PLATING  
 8: FULL GOLD FLASH  
 Si: SELECTIVE GOLD FLASH  
 6: Full Tin
- SHELL PLATING  
 T: FRONT & BACK SHELL Tin  
 N: FRONT SHELL Nickel,  
 BACK SHELL Tin
- HOUSING COLOR  
 B: BLACK  
 W: WHITE  
 U: BLUE
- CONNECTOR TYPE  
 M: Mole  
 F: Female
- No. OF CONTACTS  
 09: 9pos.  
 15: 15pos.  
 25: 25pos.  
 37: 37pos.  
 50: 50pos.



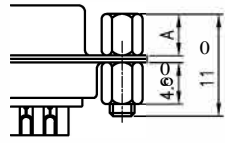
Standard



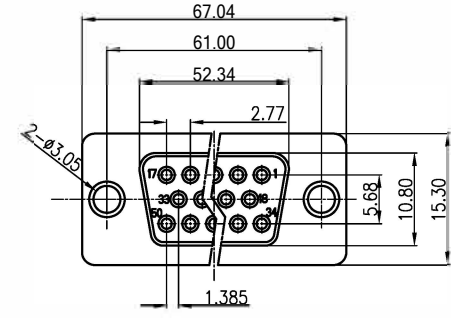
CC TYPE



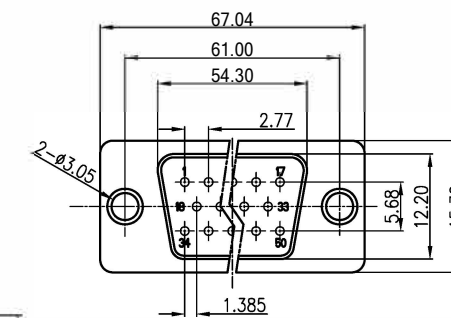
CS TYPE



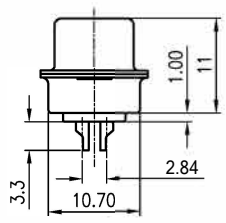
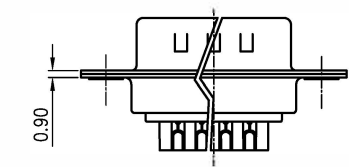
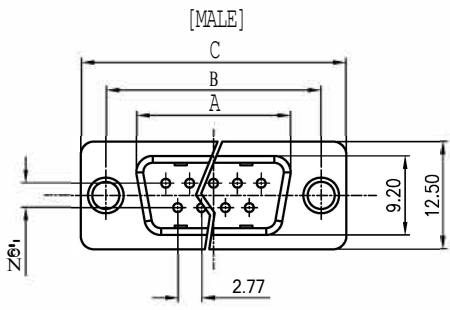
CSH TYPE



50pin Female Figure



50pin Male Figure



Dimension

Position	A±0.2	B±0.2	C±0.3	D
9	17.90	24.99	30.80	16.33
15	26.50	33.32	39.14	24.66
25	40.00	47.04	53.04	38.38
37	56.50	63.50	69.32	54.84

GENERAL TOLERANCE		ANGLE TOLERANCE	
X	±0.60	X	±5°
.X	±0.38	.X	±3"
.XX	±0.25	.XX	±2"

DRAWING TYPE	CUSTOMER
SCALE	1:1 SHEET 1 OF 1
DRAWING NO.	C-DS1033-XXXXXXX

PROJECTION	TITLE
UNITS	D-SUB SOLDER TYPE
SHEET SIZE	SERIES DS1033 SERIES

