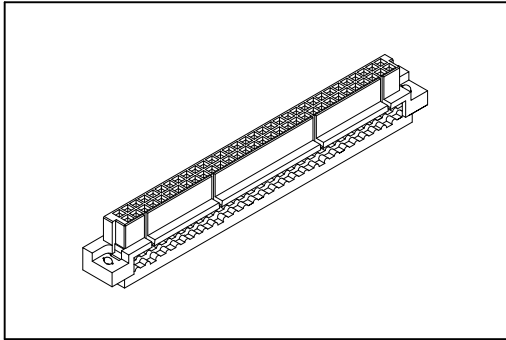


9001 Series

DIN41612 I.D.C. Type 2 Rows Female



Material:

Housing: Thermoplastic Polyester Glass Filled UL94V-0.

Contacts: Copper Alloy.

Electrical Characteristics:

Current Rating: 2 A.

Dielectric Withstanding Voltage: AC 1000V.

Insulator Resistance: 1000M Ω min.

Contact Resistance: 20m Ω max.

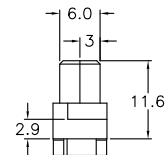
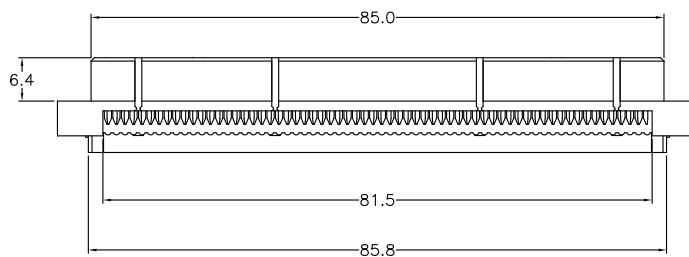
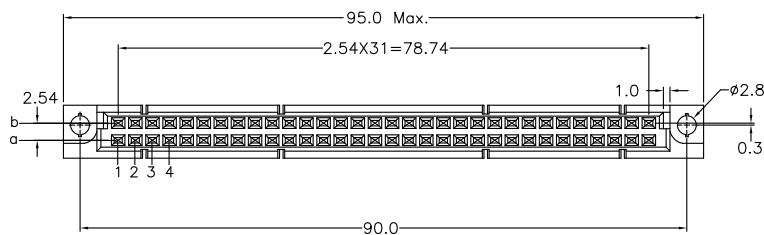
Operating Temperature: -55°C~+125°C.

Features:

* Mates with Male 2Row

9001-3164, B Type.

9001-3364, Q Type.



Ordering information

<u>9001-</u>	<u>3</u>	<u>2</u>	<u>64</u>	<u>IDC</u>	<u>00</u>	<u>A</u>
Series	3: 2Row Insulators For 1.27 Cable	2: Female	Position		00: G/F	A: Tray Package