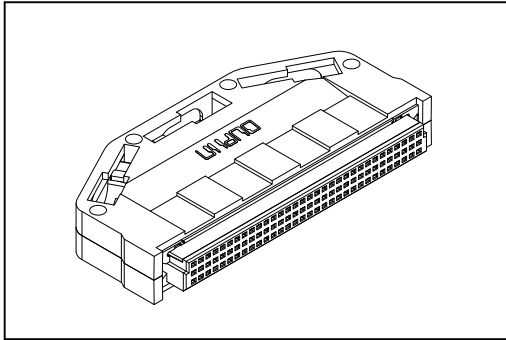


9001 Series

2.54mm(0.100") Female Cable Connector IDC Type



Material:

Housing: Thermoplastic Polyester Glass Filled UL94V-0.

Contacts: Copper Alloy.

Body: Thermoplastic Polyester Glass Filled UL94V-0.

Electrical Characteristics:

Current Rating: 2 A.

Dielectric Withstanding Voltage: AC 1000V.

Insulator Resistance: 1000MΩ min.

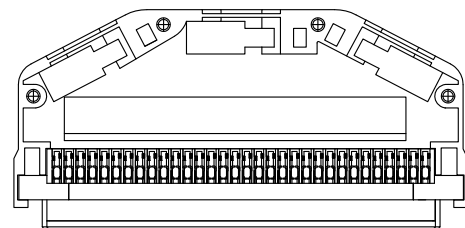
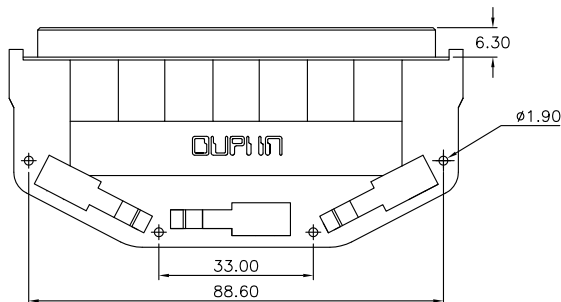
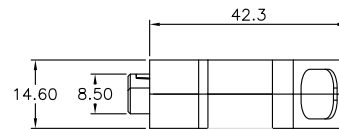
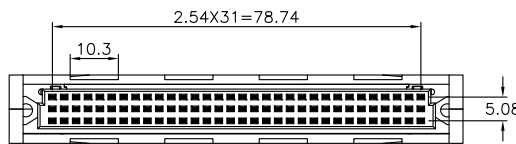
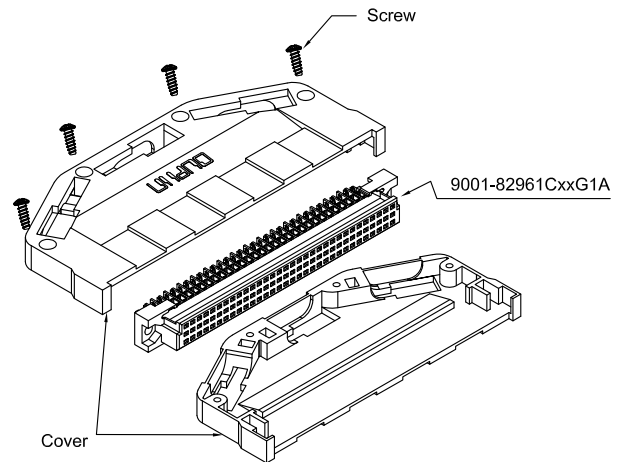
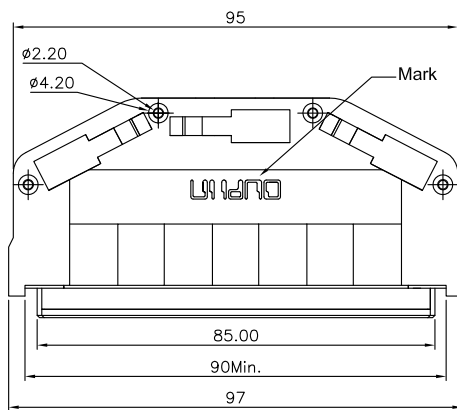
Contact Resistance: 20mΩ max.

Operating Temperature: -55°C ~+125°C.

Features:

*Wire Size

G1: AWG 24 Cable (Body Color Grey).



Ordering information

9001-	8	2	96	C	10	G1	C1	A
Series	8: Female 2.54mm	2: I.D.C. Type	Position	C: Selective Gold Plated	10: 10 μ"	See Above Wire Size	Blank: Without Cover C1: With Cover With Mark C2: With Cover Without Mark	A: Tray Package