

REV.	DESCRIPTION	DRAWN	CHECKED	APPROVED
A	NEW RELEASE	YCH 05/08/12'	~	

NOTES:

- ELECTRICAL CHARACTERISTICS:
  - CONTACT RESISTANCE: 20mΩ Max. INITIAL.
  - DIELECTRIC WITHSTANDING VOLTAGE: 500V AC(rms) FOR 1 MINUTE.
  - INSULATION RESISTANCE: 1000MΩ Min.
- ENVIRONMENT CHARACTERISTICS:
  - OPERATING TEMPERATURE: -40°C~+105°C.
- PART NUMBER: DS1011-08
- PRODUCT NUMBER CODE: DS1011-08- X X X X X X

LOCK DIM.  
7: 7.90mm(standard)  
4: 4.50mm(special)

HOUSING COLOR  
B:BLACK

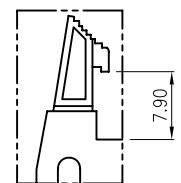
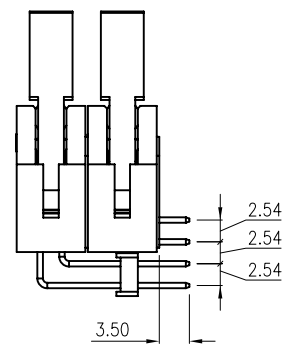
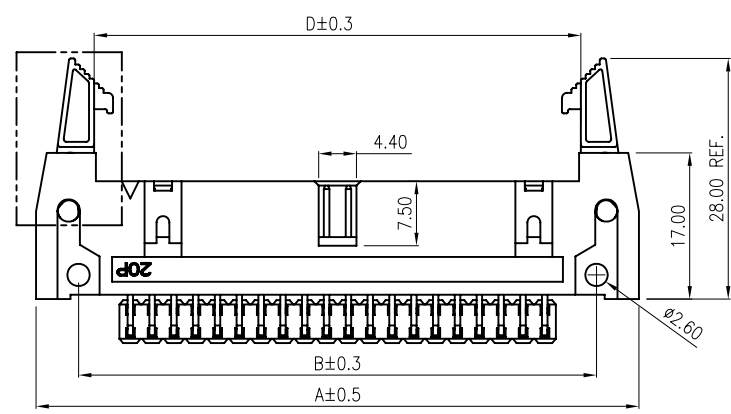
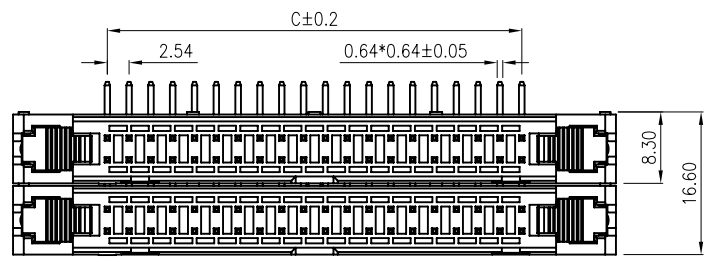
CONTACT PLATING  
Si: Full Gold flash

HOUSING TYPE  
B: BIG LATCH HOUSING

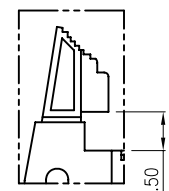
MOUNTING TYPE  
R: R/A

No. OF CONTACTS  
10 14 16 20  
26 30 34 40  
50 60 64

SERIES No.  
DS1011-08 SERIES



STANDARD LATCH



SPECIAL LATCH

AVAILABLE DIMENSION TABLE

No. of Contacts	10	14	16	20	26	30	34	40	50	60	64
A	32.1	37.18	39.72	44.80	52.42	57.50	62.58	70.20	82.90	95.60	100.68
B	22.20	27.28	29.82	34.90	42.52	47.60	52.68	60.30	73.00	85.70	90.78
C	10.16	15.24	17.78	22.86	30.48	35.56	40.64	48.26	60.96	73.66	78.74
D	18.10	23.18	25.72	30.47	38.42	43.50	48.58	56.20	68.90	81.60	86.68

GENERAL TOLERANCE		ANGLE TOLERANCE		PROJECTION		TITLE	STACKINGSHOUED HEADER PITCH 2.54mm TYPE	
X.	±0.60	X.	±5°	UNITS	mm			
.X	±0.38	.X	±3°	SHEET SIZE	A4	SERIES	DS1011-08 SERIES	
.XX	±0.25	.XX	±2°	<b>晨翔电子有限公司</b> <b>CONNFLY CONNFLY ELECTRONIC CO. LTD</b>				
DRAWING TYPE		CUSTOMER						
SCALE	1:1	SHEET	1 OF 1					
DRAWING NO.		C-DS1011-08-XXBXXX						