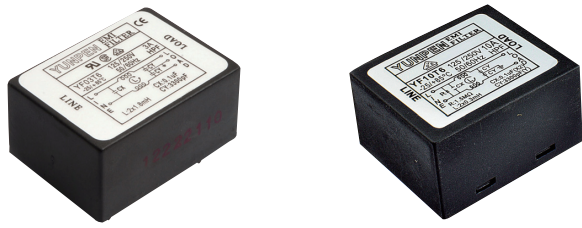


YF-T6, T8 SERIES (PC Board Mounting Filters)



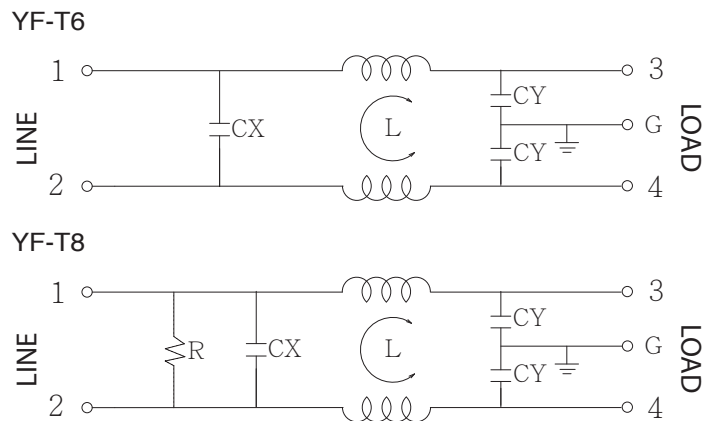
Features

- Specially designed for easy PC Board mounting filtering with plastic case.
- The rated current can be offered up to 10 amps.
- Low leakage current version upon requested.
- Approved by UL, CSA, VDE and CE
- Applications comprising Household equipment , Medical equipment, Test and measurement equipment, datacom equipment, automation equipment
- Custom-specific versions are available on request.

Technical Specification

Rated voltage	125/250VAC
Rated currents	1 to 10A
Operating frequency	50/60Hz
Hipot rating(Line-to-line)	1450VDC
Hipot rating(Line-to-ground)	2250VDC
Operating temperature	-25~+85°C
Safety compliance	T6 Series(UL, CSA, VDE, CE), T8 Series(VDE, CE)

Typical electrical schematic

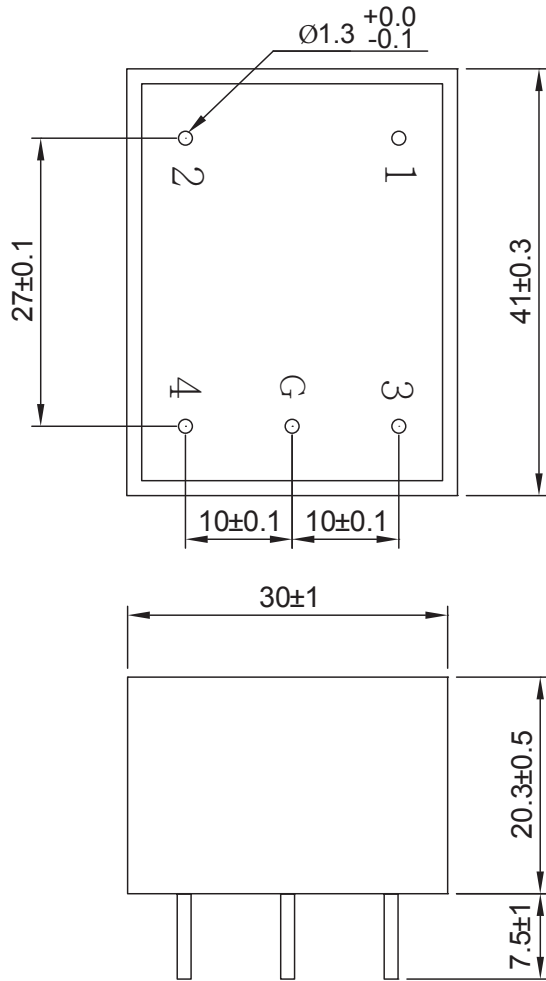


Filter Selection Table

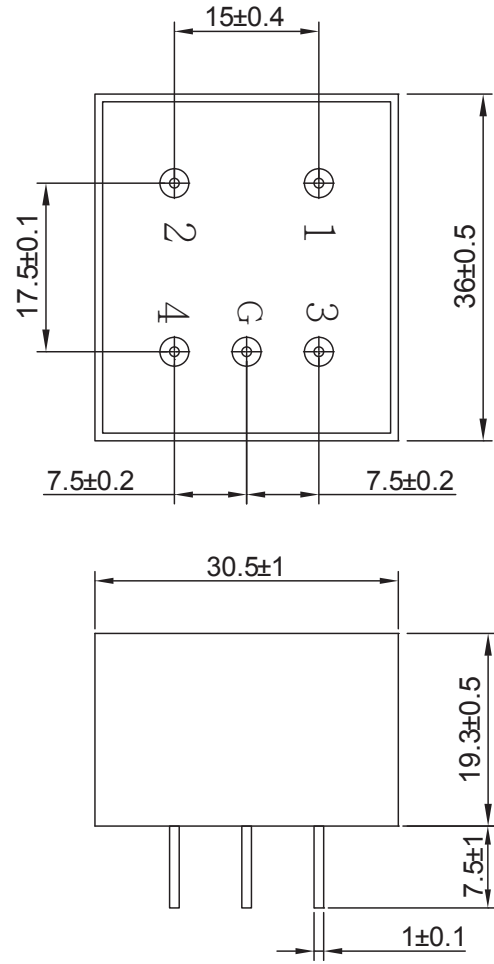
Part No.	Rated Current (A)	Inductance L(mH)	Capacitance CX(μ F)	Capacitance CY(pF)	Resistance R(ohm)	Output connections
YF01T6	1	3.7	0.1	3300	-	PCB terminal
YF03T6	3	1.8	0.1	3300	-	
YF06T6	6	0.7	0.1	3300	-	
YF10T6	10	0.3	0.1	3300	-	
YF01T8	1	3.7	0.1	3300	1.5M	
YF03T8	3	1.8	0.1	3300	1.5M	
YF06T8	6	0.7	0.1	3300	1.5M	
YF10T8	10	0.3	0.1	3300	1.5M	

Physical Dimensions: (mm)

YF-T6



YF-T8



Typical filter attenuation (Common mode — Normal mode —)

