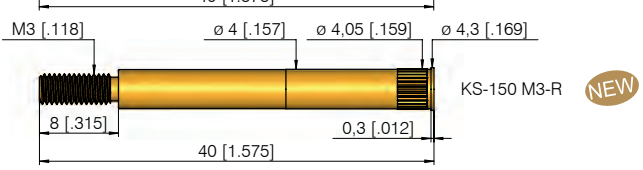
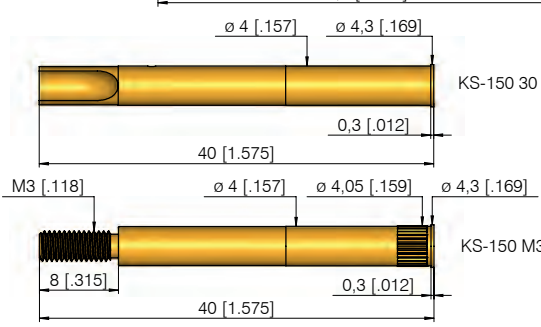
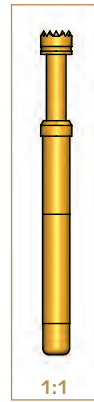
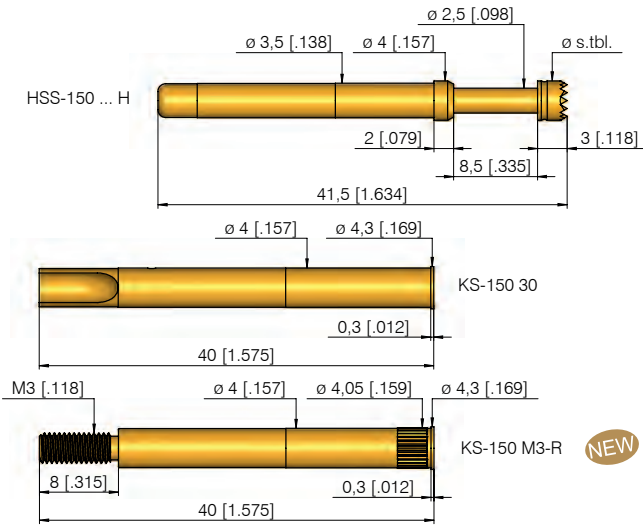


Grid:  
 ≥ 5,08 mm  
 ≥ 200 Mil

Installation height with KS: 13,8 mm (.543)  
 Recommended stroke: 7,4 mm (.291)

High Current Probe up to 50 A  
 Long-stroke Test Probes to Plug in and Screw in

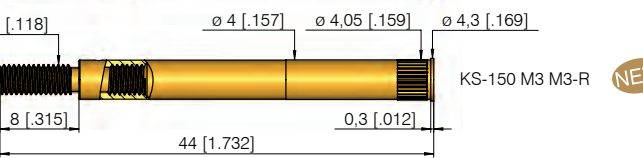
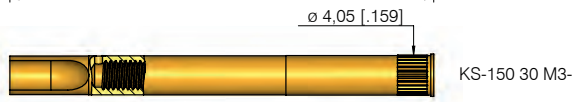
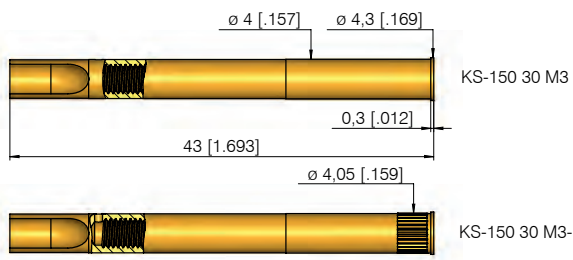
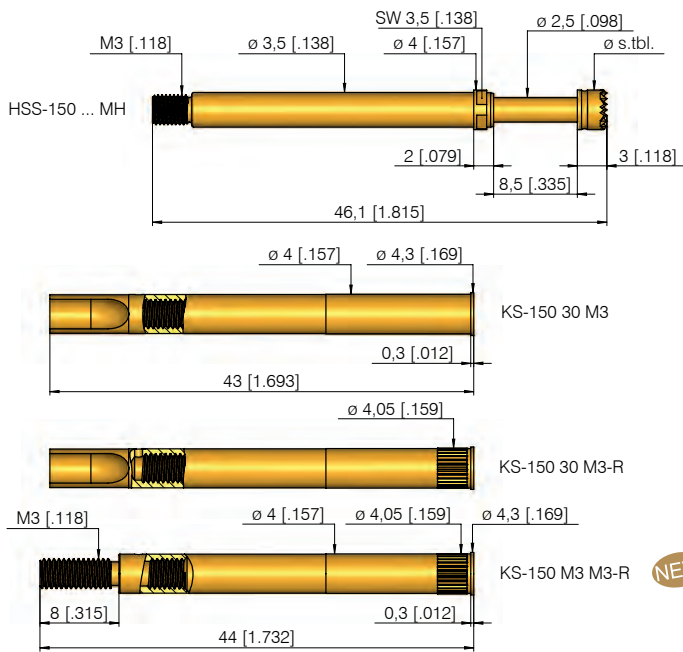
## Mounting and functional dimensions



## Available tip styles

Material	Tip style	Plating	Further versions	
			∅	∅ (inch)
3 02		A	∅ 4,00 (.157)	
3 05*		S	∅ 4,00 (.157)	
3 06		A	∅ 4,00 (.157)	
3 17		A	∅ 4,00 (.157)	

Total length 46,1 mm (1.815), special designation "MH"  
 \* pressed-in silver stud



**Materials**  
**Plunger:** BeCu, gold-plated  
**Barrel:** Brass, gold-plated  
**Spring:** Stainless steel  
**Receptacle:** Brass, gold-plated

**Mechanical data**  
**Working stroke:** 7,4 mm (.291)  
**Maximum stroke:** 8,5 mm (.335)  
**Spring force at work. stroke:** 3,0 N (10.8oz)  
**Alternative:** 5,0 N (18.1oz); 10 N (36oz) ("99" in order number)

**Mounting hole size**  
**for KS-150 30 in CEM1 and FR4:** ∅ 3,98 - 3,99 mm (.1570 - .1571)  
**for KS-150 30 M3 in CEM1 and FR4:** ∅ 3,99 mm (.1571)

**Electrical data**  
**Current rating (at room temp.):** max. 50 A  
**R<sub>j</sub> typical:** < 10 mΩ

**Operating temperature**  
**Standard:** -100° up to +200° C

**for KS-150 M3-R + KS-150 30 M3-R + KS-150 M3 M3-R in CEM1 and FR4:** ∅ 4,00 - 4,02 mm (.1575 - .1583)

**Recommended screw-in torque**  
 Min. 10 cNm / Max. 20 cNm

## Ordering example

	Series	Tip material 3 = BeCu	Tip style	Tip diameter (1/100 mm)	Plating A = Gold S = Silver	Spring force (dN)	Collar height (mm)	Type "H", "MH"
Test probe HSS-150 ... H:	HSS	3	06	400	A	30	02	H
Receptacles for HSS-150 ... H:	KS-15030							
Test probe HSS-150 ... MH:	HSS	3	06	400	A	30	02	MH
Receptacles for HSS-150 ... MH:	KS-15030M3							

All specifications are subject to change without prior notification

HSS short / long