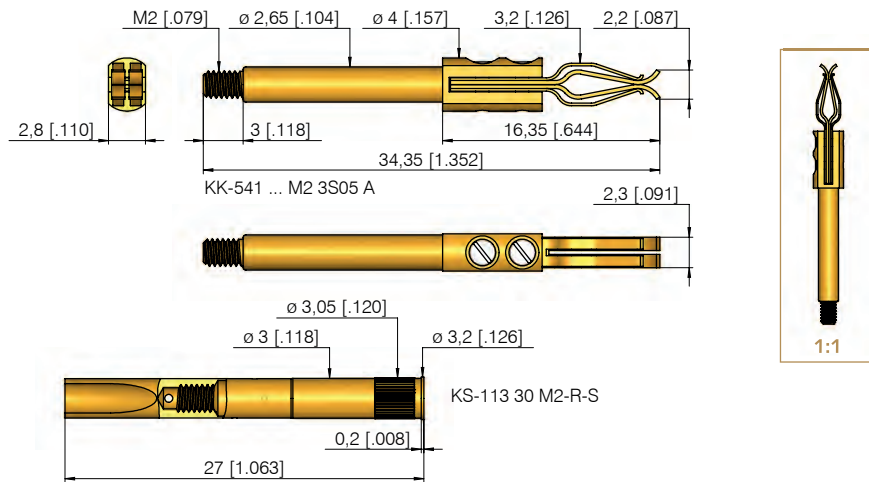


Grid:
≥ 3,50 mm
≥ 140 Mil

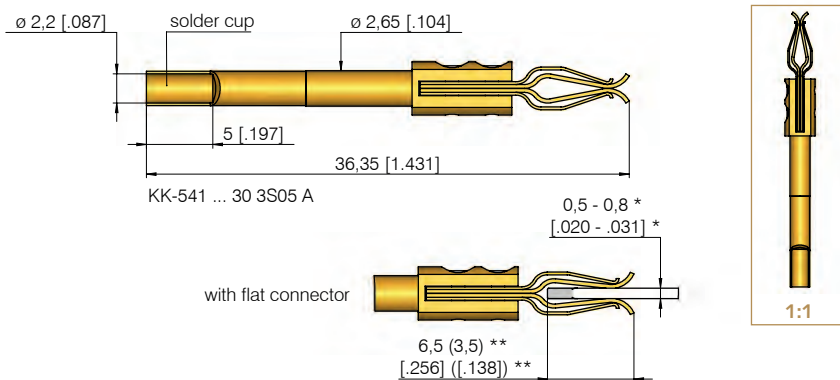
Installation height with KS: 16,6 mm (.654)
Recommended stroke: 5,0 mm (.197)

Mounting and functional dimensions

KK-541 to screw-in



KK-541 to press-in



Note:

The contact clip **KK-541** offers reliable contacting of flat connectors on the outer surface. Even under harsh testing conditions with vibrations, contamination, and longer test cycles, the **KK-541** proves to be most suitable due to its double spring clip design.

Materials

Spring clip: BeCu, gold-plated
Barrel: Brass, gold-plated
Receptacle: Brass, gold-plated

Electrical data

Current rating (at room temp.): max. 20 A
R_j typical: < 5 mΩ

Flat connector to be contacted

Min. length: 3,5 mm (.138)
Thickness flat connector*: 0,5 - 0,8 mm (.020 - .031)

Operating temperature

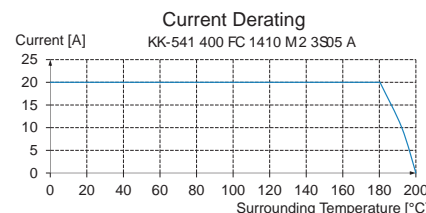
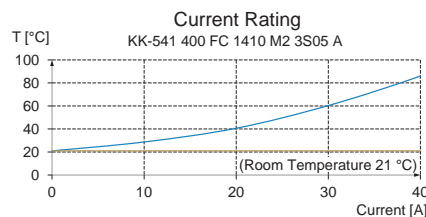
Standard: -100° up to +200° C

Mounting hole size

for KS-113 30 M2-R-S in CEM1 and FR4: ∅ 3,00 - 3,02 mm (.1181 - .1189)
for KK-541 to press-in: ∅ 2,64 mm (.1043)

Recommended tightening torque

KK-541 in KS-113: 10 cNm



Mechanical data

Min. immersion depth:** 3,5 mm (.138)
Max. immersion depth:** 6,5 mm (.256)
Working stroke: 5,0 mm (.197)

Ordering example

Contact clip (for receptacle):

KK 541 400 FC 1410 M2 3S05 A

Contact clip (for press-fit):

KK 541 400 FC 1410 30 3S05 A

Receptacle:

KS-113 30 M2-R-S