

HKR 694

High Current Clamps up to 15 A
for Round Post- \varnothing 4,0 mm

NEW

Grid:

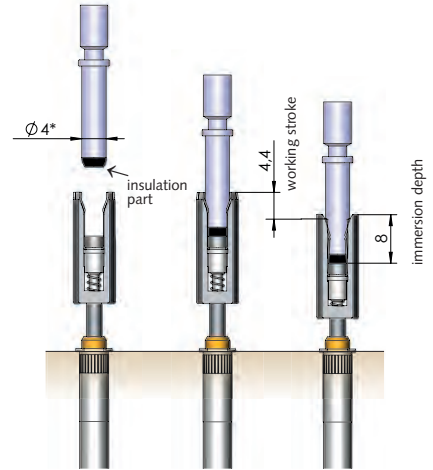
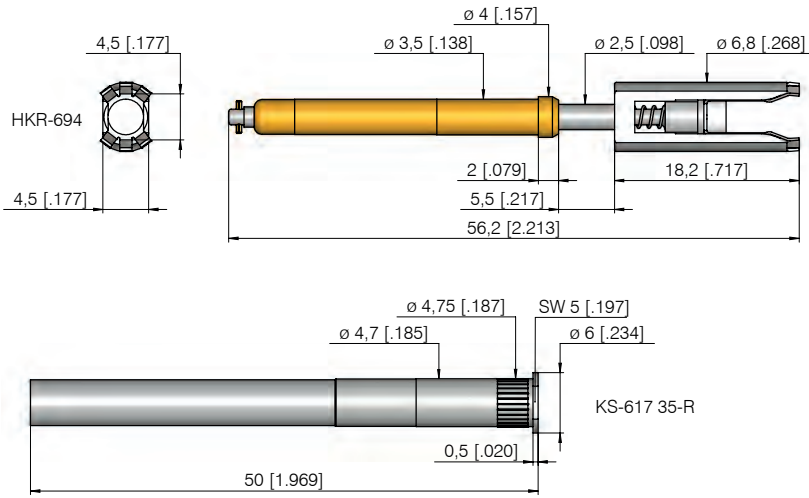
$\geq 5,5$ mm

≥ 220 Mil

Installation height with KS: 26,2 mm (1.031)

Recommended stroke: 4,4 mm (.173)

Mounting and functional dimensions



Contacting example HKR-694, \varnothing 4 mm

Note:

The high current clamp HKR-694 was developed for plug connectors with 4 mm nominal diameter which are arranged in a small grid size. Grid size of 5,5 mm is possible due to the combination of lamellae and slim base body.

Materials

Spring lamellae: bronze, silver-plated
Barrel: Brass, gold-plated
Spring: Stainless steel
Receptacle: Brass, silver-plated

Operating temperature

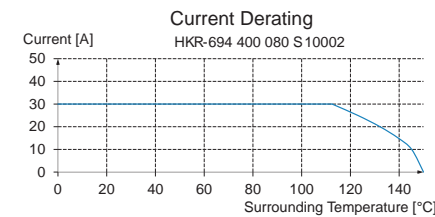
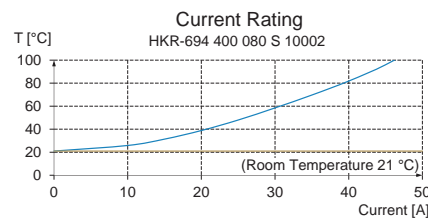
Standard: -100° up to +200° C

Mounting hole size

for KS-617 35-R
in CEM1 and FR4:
 \varnothing 4,68 mm (.184) - 4,72 mm (.186)

Electrical data

Current rating (at room temp.): max. 15 A



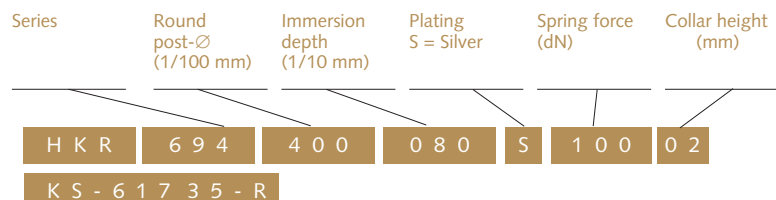
Round post to be contacted

Min. immersion depth bolt: 8 mm (.315)
Round post- \varnothing *: 4,0 mm \pm 0,2 mm (.157 \pm .008)

Mechanical data

Min. immersion depth bolt:** 8 mm (.315)
Working stroke: 4,4 mm (.173)
Max. working stroke: 5,5 mm (.217)
Spring force at working stroke: 10 N (36oz)

Ordering example



High current clamp:

Receptacle: