



# CUSTOMER APPROVAL SHEET

<b>Company Name</b>	
<b>MODEL</b>	
<b>CUSTOMER APPROVED</b>	Title : Name :

- APPROVAL FOR SPECIFICATIONS ONLY (Spec. Ver.\_\_\_\_)
- APPROVAL FOR SPECIFICATIONS AND ES SAMPLE (Spec. Ver.\_\_\_\_)
- APPROVAL FOR SPECIFICATIONS AND CS SAMPLE (Spec. Ver.\_\_\_\_)
- CUSTOMER REMARK :

**AUO PM :**

**P/N :** \_\_\_\_\_

**Comment :**

Doc. Version:	0.1
Total Pages:	26
Date :	2009.07.13

# Product Specifications

## 1.5" COLOR TFT-LCD MODULE

<b>Model Name :</b>	A015AN05 V2
<b>Planned Lifetime:</b>	From 2009/Apr. to 2010/Aug.
<b>Phase-out Control:</b>	From 2010/Jun. to 2010/Aug.
<b>EOL Schedule:</b>	2010/Aug.

< > Preliminary Specification

< □ > Final Specification

Note: The content of this specification is subject to change without notice.

© 2009 AU Optronics  
All Rights Reserved

**Record of Revision**

<b>Version</b>	<b>Revise Date</b>	<b>Page</b>	<b>Content</b>
0.0	2009/04/22		First draft
0.1	2009/07/13	3	Update the weight of module
		15	Update viewing angle TYP spec of Bottom and add Min. spec.



**Table of contents**

**A. Physical Specifications ..... 3**

**B. Electrical Specifications..... 4**

**C. Optical Specifications ..... 15**

**D. Reliability Test Items..... 17**

**E. Packing Form ..... 19**

**F. Outline drawing ..... 20**

**Note: Any stress or attachment on the back of the LCD module is forbidden..... 20**

**G. Appendix ..... 21**

**H. Suggested Application Note ..... 22**



## A. Physical Specifications

No.	Item	Specification	Remark
1	Display resolution (dot)	280 (W) ×220 (H)	
2	Active area (mm)	29.96 (W) ×22.66 (H)	
3	Screen size (inch)	1.48 (Diagonal)	
4	Dot pitch (mm)	0.107 (W) ×0.103 (H)	
5	Color configuration	R. G. B. delta	
6	Overall dimension (mm)	37.06 (W) ×34.0 (H) ×2.6(D)	Note 1
7	Weight (g)	5.5	
8	Panel surface treatment	Hard coating (3H)	

Note 1: Refer to Fig. 5

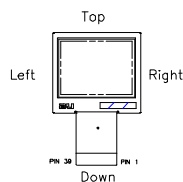
## B. Electrical Specifications

### 1. Pin assignment (Note1)

Pin no.	Symbol	I/O	Description	Remark
1	VCOM	I	Common electrode driving signal	
2	V1	C	Power setting capacitor connect pin	
3	V2	C	Power setting capacitor connect pin	
4	V3	C	Power setting capacitor connect pin	
5	V4	C	Power setting capacitor connect pin	
6	VGH	C	Positive power for scan driver	
7	V5	C	Power setting capacitor connect pin	
8	V6	C	Power setting capacitor connect pin	
9	Vgoff_H	C	Negative power supply (High) for G1~G220 outputs	
10	Vgoff_L	C	Negative power supply (High) for G1~G220 outputs	
11	V7	C	Power setting capacitor connect pin	
12	V8	C	Power setting capacitor connect pin	
13	AVDD1	C	FRP level supply	
14	FRP	O	Frame polarity output for panel Vcom	
15	AGND	P	Ground pin for digital circuit	
16	VCP	P	Power supply for charge pump	
17	VLED+	P	LED power anode	
18	VLED-	P	LED power cathode	
19	VCC	P	Power supply for digital circuits	3.0V~3.6V
20	AGND	P	Ground pin for analog circuits	
21	AVDD	P	Power supply for analog circuits	
22	HSYNC	I	Horizontal sync input. Negative polarity	
23	VSYNC	I	Vertical sync input. Negative polarity	
24	DCLK	I	Clock signal; latch data onto line latches at the rising edge	
25	D5	I	Data input: MSB	
26	D4	I	Data input	
27	D3	I	Data input	
28	D2	I	Data input	
29	D1	I	Data input	
30	D0	I	Data input	
31	V9	C	Power setting capacitor connect pin	Note2
32	GRB	I	Global reset pin	
33	CS	I	Serial communication chip select	Note3
34	SDA	I	Serial communication data input	Note3
35	SCL	I	Serial communication clock input	Note3
36	VCC	P	Power supply for digital circuits	
37	DGND	P	Ground pin for digital circuits	
38	Dummy	-	Dummy pad	
39	Dummy	-	Dummy pad	

I: input; O: output, P: power

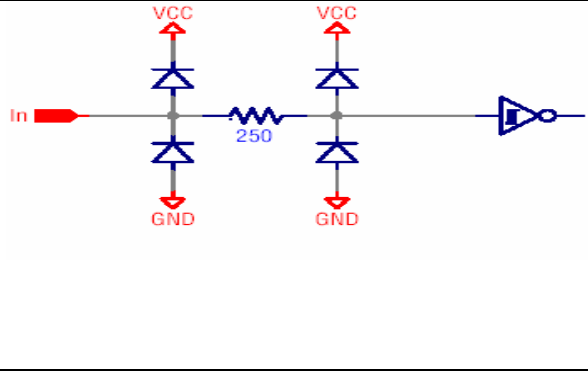
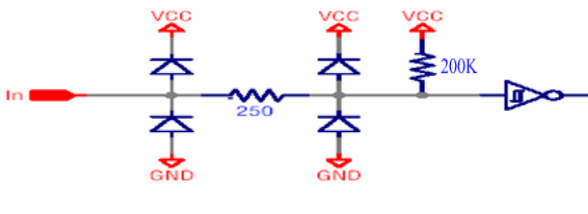
Note 1: For definition of scanning direction, please refer to figure as follows:



Note 2: The capacitor of V9(pin31) is needed.

Note 3: Please refer to application note for 3-wire serial communication setting.

2. Equivalent circuit of I/O

Pin no. & Pin name	Schematics
22.HSYNC 23.VSYNC 24.DCLK 25.D5 26.D4 27.D3 28.D2 29.D1 30.D0 33.CS 34.SDA 35.SCL	
32.GRB	



## 3. Absolute maximum ratings

Item	Symbol	Condition	Min.	Max.	Unit	Remark
Supply Voltage	VCC	GND=0V	-0.5	5	V	
	AVDD	AGND=0V	-0.5	5.5	V	
TFT-LCD Power Voltage	VGH	AGND=GND=0V	0	16	V	
	Vgoff_H	AGND=GND=0V	-10	0	V	
	Vgoff_L	AGND=GND=0V	-16	0	V	
Input Signal Voltage	CS,SDA,SCL,Vsync, Hsync,DCLK,D0~D7	AGND=GND=0V	-0.5	5	V	
VCOM AC Output Voltage	FRP	AGND=GND=0V	0	8	V	
VCOM AC Power Voltage	AVDD1	AGND=GND=0V	0	8	V	
VCOM DC Output Voltage	COMDC	AGND=GND=0V	0	5	V	
VCOM Input Voltage	VCOM	AGND=GND=0V	-2.9	5.6	V	
	V1	AGND=GND=0V	0	16	V	
	V2	AGND=GND=0V	0	8	V	
	V3	AGND=GND=0V	0	16	V	
	V4	AGND=GND=0V	-16	0	V	
Storage Temperature	Tstg	-	-25	80	°C	Ambient temperature
Operating Temperature	Topa	-	0	60	°C	Ambient temperature



#### 4. Electrical characteristics

##### a. Typical operating conditions (GND = AGND = 0V)

Item	Symbol	Min.	Typ.	Max.	Unit	Remark
Power supply	V <sub>CC</sub>	3.0	3.3	3.6	V	
	AV <sub>DD</sub>	3.0	3.3	3.6	V	
Output Signal voltage	H Level	V <sub>OH</sub>	V <sub>CC</sub> -0.4			
	L Level	V <sub>OL</sub>	GND	GND+0.4		
Input Signal voltage	H Level	V <sub>IH</sub>	0.7V <sub>CC</sub>	-	V <sub>CC</sub>	V
	L Level	V <sub>IL</sub>	GND	-	0.3V <sub>CC</sub>	V
Output current	H Level	IOH	10			uA
	L Level	IOL	-10			uA
Analog stand by current	I <sub>st</sub>			200		uA DCLK is stopped
VCOM Voltage	AVDD1	4.4	5.6	5.8	V	
	V <sub>CDC</sub>	0.30	0.45	0.60	V	
Internal Voltage	VCP	6.5	-	8.8	V	
Positive Power Supply	VGH	12	13	14	V	
Negative Power supply (Low)	VGoff_L	-14	-13	-12	V	
Negative Power supply (High)	VGoff_H	-8.4	-7.4	-6.4	V	

##### b. Recommended Capacitance Values of External Capacitor

The recommended capacitance values of the external capacitor are shown below. These values should be finally determined only after performing sufficient evaluation on the module.

Pin name	Operating value of capacitors (μF)	Withstanding voltage (V)
VCC	1 to 10	6.3
AVDD	1 to 10	6.3
AVDD1	1 to 10	10
VGH	1 to 10	16
Vgoff_H, Vgoff_L	1 to 10	16
V1, V2	1 to 10	16
V3, V4	1 to 10	16
V5, V6	1 to 10	16
V7, V8	1 to 10	16
V9	4.7 to 10	6.3(Note1)
VCP	4.7 to 10	16
FRP	10	16

Note1: The capacitors of V9 (31pin) is needed.

Note2: Typical operating capacitors reference suggested reference application circuit

c. Current consumption (GND = AGND = 0V)

Parameter	Symbol	Condition	Min.	Typ.	Max.	Unit	Remark
Current	$I_{CC}$	$V_{CC} = 3.3V$	-	2	2.5	mA	Note1
	$I_{DD}$	$AV_{DD} = 3.3V$	-	1.5	2.0	mA	Note2

Note1: This power consumption doesn't include LED power consumption.

Note2: Test condition: 8colorbar+Grayscale pattern, UPS051 mode, DCLK=5.67MHz, frame rate:60Hz.

d. LED driving conditions

Parameter	Symbol	Min.	Typ.	Max.	Unit	Remark
	$I_{LED-anode}$	22	25	25.5	mA	Note1
LED voltage	$V_L$	3.0	3.3	3.6	V	Note2

Note1: LED-=0V

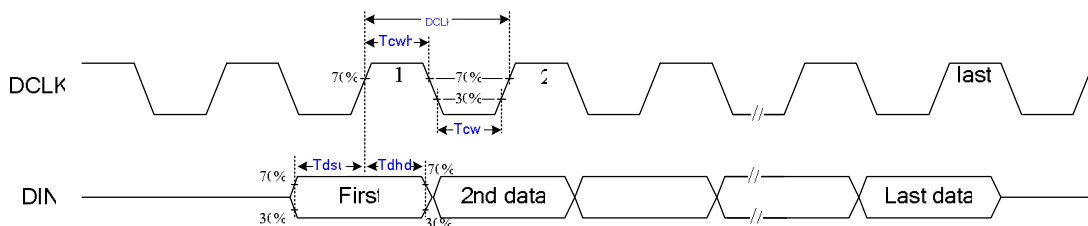
Note2:  $V_L = LED+$  (PIN 17), LED Max. Voltage: 1pcs/3.6V, LED Min. Voltage: 1pcs/3.0V.

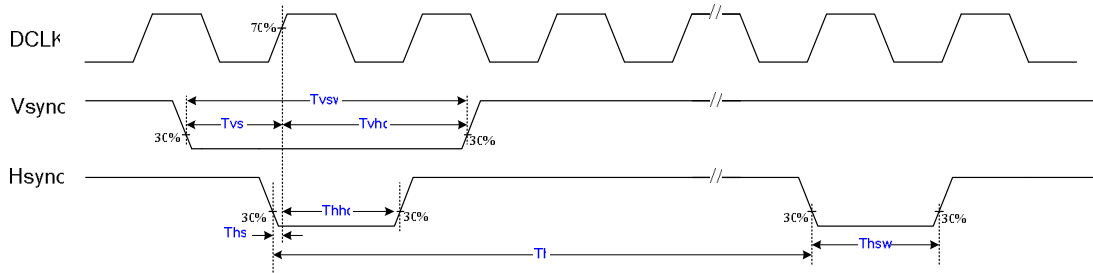
@ $I_{LED}=25mA$ .

5. Input timing AC characteristic

( $V_{CC}=3.3V, AV_{DD}=3.3V, AGND=GND=0V, TA=-25^{\circ}C \sim 85^{\circ}C$ )

Parameter	Symbol	Min.	Typ.	Max.	Unit	Remark
DCLK period time	$t_{DCLK}$	37	-	-	ns	
HSYNC period time	$T_h$	60	63.56	67	us	
VSYNC setup time	$T_{vst}$	12	-	-	ns	
VSYNC hold time	$T_{vhd}$	12	-	-	ns	
HSYNC setup time	$T_{hst}$	12	-	-	ns	
HSYNC hold time	$T_{hhd}$	12	-	-	ns	
Data setup time	$T_{dst}$	12	-	-	ns	
Data hold time	$T_{dhd}$	12	-	-	ns	
HSYNC width	$T_{hsw}$	1	1	96	$t_{DCLK}$	
VSYNC width	$T_{vsw}$	$1 t_{DCLK}$	$1 t_{DCLK}$	$6T_h$		
DCLK duty cycle	$T_{cwh}/T_{cwl}$	40	50	60	%	





6. AC Timing

a. UPS051 Timing conditions

Note1: Horizontal display position:

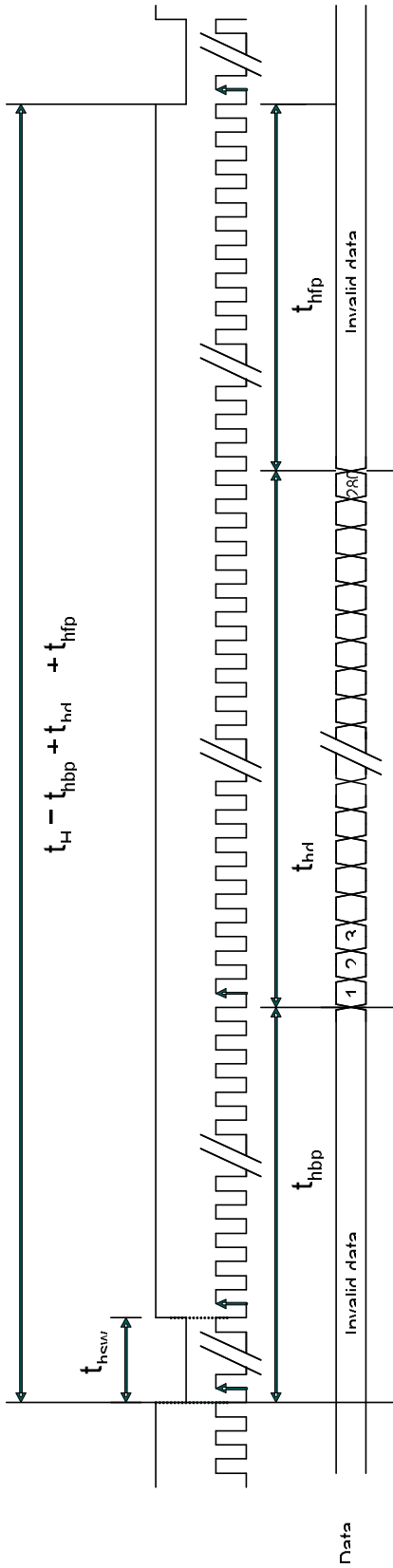
Parameter		Symbol	Min.	Typ.	Max.	Unit.	Remark	
DCLK Frequency		$1/t_{DCLK}$	5.62	5.67	12	MHz		
HSYNC	Period	$t_H$	360			$t_{DCLK}$		
	Display period	$t_{hd}$	280			$t_{DCLK}$		
	Back porch	$t_{hbp}$	61	62	64	$t_{DCLK}$	Note1	
	Front porch	$t_{hfp}$	19	18	16	$t_{DCLK}$		
	Pulse width	$t_{hsw}$	1	25	56	$t_{DCLK}$		
VSYNC	Period	Odd	256	262.5	264	$t_H$		
		Even						
	Display period	Odd	220	$t_H$				
		Even						
	Back porch	Odd	$t_{vb}$	23		$t_H$		
		Even		23.5				
	Front porch	Odd	$t_{vf}$	13	19.5	21		$t_H$
		Even		12.5	19	20.5		
	Pulse width	Odd	$t_{vsw}$	$1 t_{DCLK}$	$3 t_H$	$6 t_H$		-
		Even						

Available display starts from the data of 63  $t_{DCLK}$  when back porch value ( $t_{hbp}$ ) set 62.

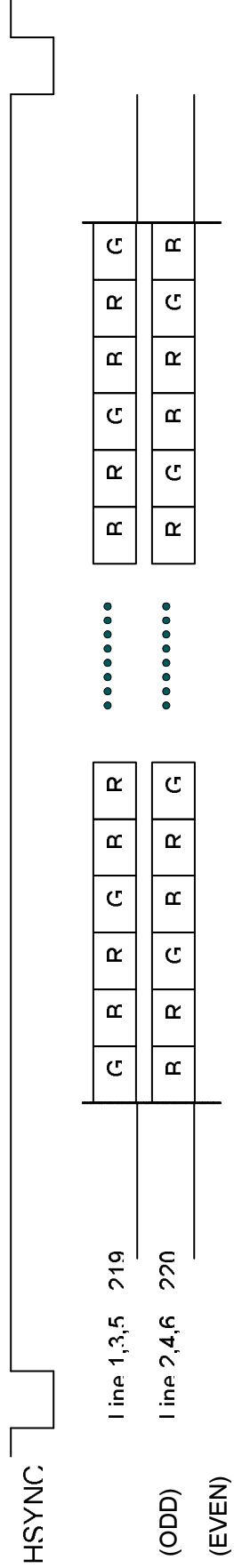
Note2: UPS051 support interlacing input format

Note3: UPS051 support non-interlacing input format. Odd field only or even field only

### UPS051 Input Horizontal Timing Chart



### UPS051 Input Horizontal Data Sequence



b. UPS052 Timing conditions

Parameter		Symbol	Min.	Typ.	Max.	Unit.	Remark	
DCLK Frequency		$1/t_{DCLK}$	23.3	24.54	25.7	MHz		
HSYNC	Period	$t_H$	1560			$t_{DCLK}$	Note1	
	Display period	$t_{disp}$	1280			$t_{DCLK}$		
	Back porch	$t_{hbp}$	248	249	251	$t_{DCLK}$		
	Front porch	$t_{hfp}$	32	31	29	$t_{DCLK}$		
	Pulse width	$t_{hsw}$	1	25	56	$t_{DCLK}$		
VSYNC	Period	Odd	256	262.5	264	$t_H$		
		Even						
	Display period	Odd	$t_{vdisp}$	220				$t_H$
		Even						
	Back porch	Odd	$t_{vb}$	23				$t_H$
		Even		23.5				
	Front porch	Odd	$t_{vf}$	13	19.5	21		$t_H$
		Even		12.5	19	20.5		
	Pulse width	Odd	$t_{vsw}$	$1 t_{DCLK}$	$3 t_H$	$6 t_H$		-
		Even						

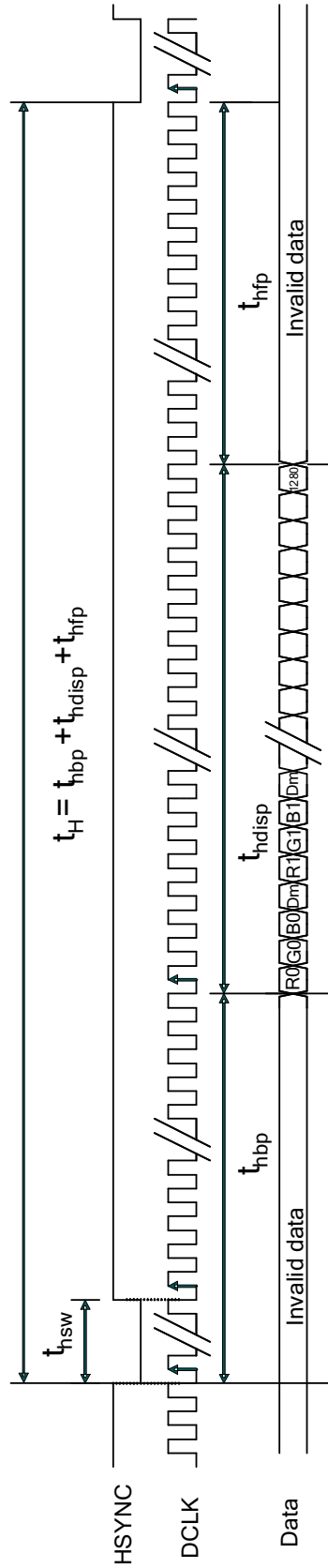
Note1: Horizontal display position:

Available display starts from the data of  $266 t_{DCLK}$  when back porch value ( $t_{hbp}$ ) set 249.

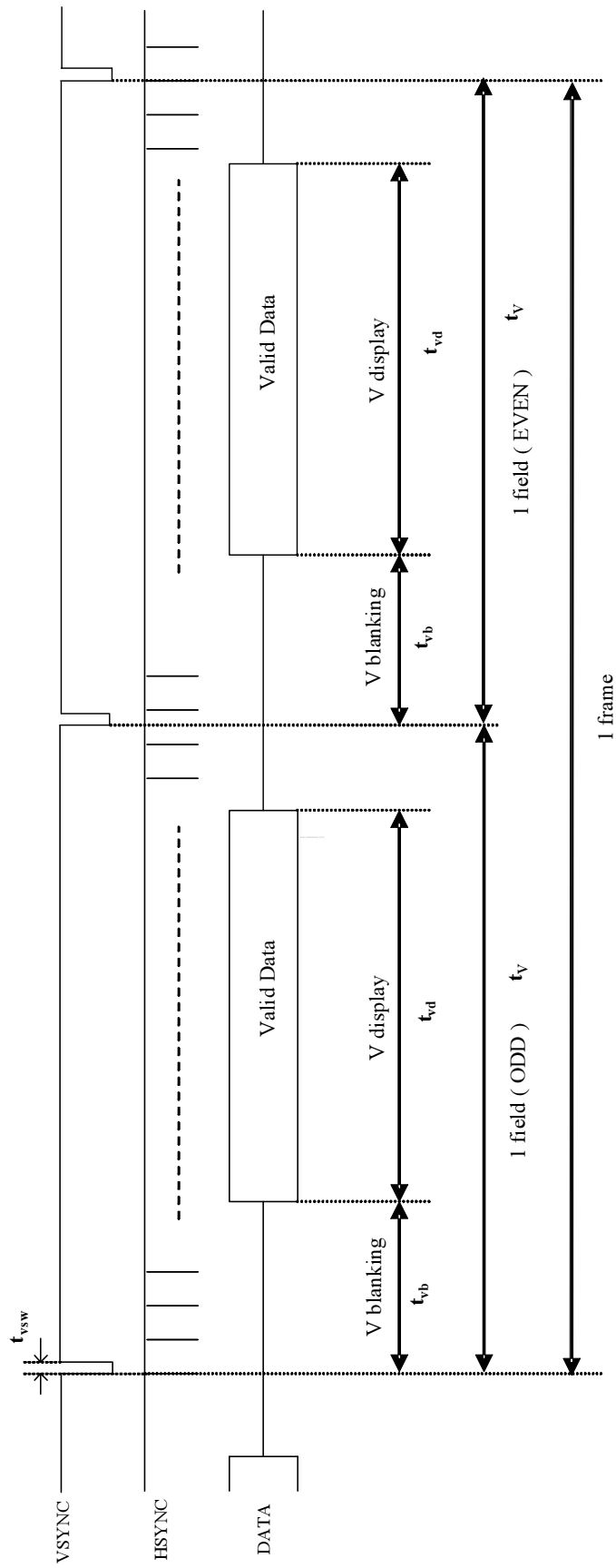
Note2: UPS052 support interlacing input format

Note3: UPS052 support non-interlacing input format. Odd field only or even field only.

### UPS052 Input Horizontal Timing Chart



### UPS052 Input Vertical Timing Chart



7. 3-wire serial communications

For 3-wire serial communication timing, it is shown in Fig.2. For register setting, please refer to application note.

8. DC-DC Converter Circuit

A015AN05 contains one high-power step-up DC-DC converter for active matrix TFT LCDs.

a. Charge Pump Block Diagram

The VCC Voltage is used for internal pump circuit to generate VCP/VGH/Vgoff\_H/ Vgoff\_L/Vcac for gate and VCOM used.

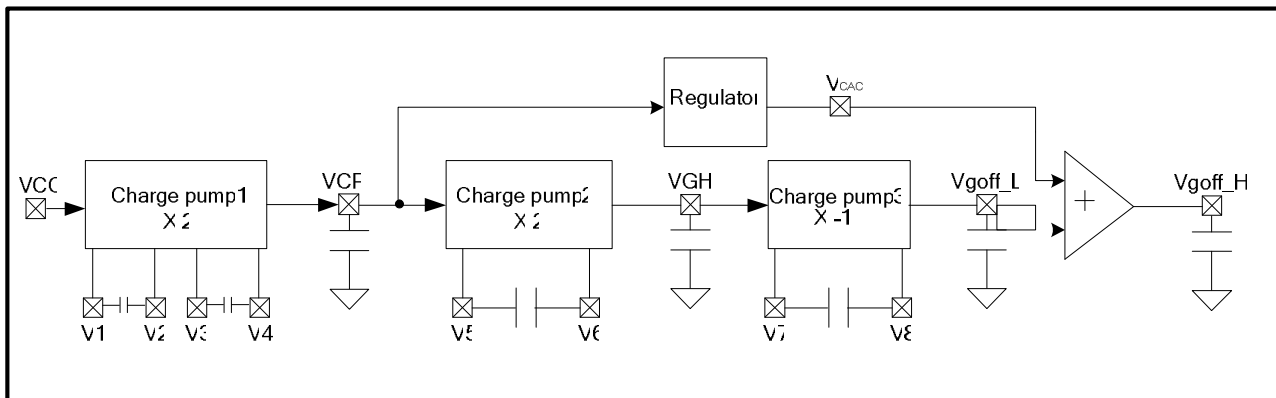


Fig. 1 charge pump diagram



### C. Optical Specifications

Item	Symbol	Condition	Min.	Typ.	Max.	Unit	Remark
Response time	Rise	$\theta=0^\circ$	-	25	50	ms	Note 4
	Fall		-	30	60		
Contrast ratio	CR	At optimized viewing angle	200	300	-		Note 5, 6
Viewing angle	Top	CR $\square$ 10	40	50	-	deg.	Note 7
	Bottom		45	55	-		
	Left		50	60	-		
	Right		50	60	-		
Brightness (25mA)	$Y_L$	$\theta=0^\circ$	TBD	300	-	cd/m <sup>2</sup>	Note 8
White chromaticity	X	$\theta=0^\circ$	TBD	(0.31)	TBD		
	y	$\theta=0^\circ$	TBD	(0.33)	TBD		

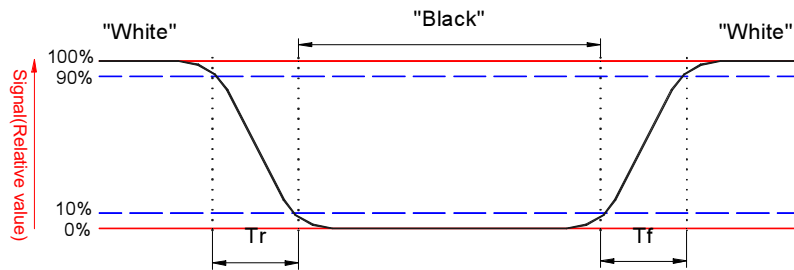
Note 1 Ambient temperature = 25 $\square$ .

Note 2 Measured in the dark room

Note 3 Measured on the center area of panel with a field angle of 1 $^\circ$  by Topcon luminance meter BM-7, after 10 minutes operation.

Note 4 Definition of response time:

Output signals of photo detector are measured when the input signals are changed from "black" to "white" (falling time) and from "white" to "black" (rising time), respectively.



Response time is defined as the time interval between the 10% and 90% of amplitudes. Refer to the figure as follows.

Note 5 Definition of contrast ratio:

Contrast ratio is calculated with the following formula.

$$\text{Contrast ratio (CR)} = \frac{\text{Photo detector output when LCD is at "White" state}}{\text{Photo detector output when LCD is at "Black" state}}$$

Note 6 White  $V_i = V_{i50} \pm 1.5V$

Black  $V_i = V_{i50} \pm 2.0V$

" $\pm$ " means that the analog input signal swings in phase with COM signal.

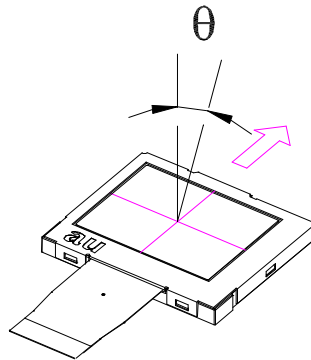
" $\mp$ " means that the analog input signal swings out of phase with COM signal.

$V_{i50}$ : The analog input voltage when transmission is 50%

100% transmission is defined as the transmission of LCD panel when all the input terminals of module are electrically opened.

Note 7 Definition of viewing angle:

Refer to the figure as follows.



Note 8 Measured at the center area of the panel when all the input terminals of LCD panel are electrically opened.

Note 9 Gray level inversion direction: 6 o'clock

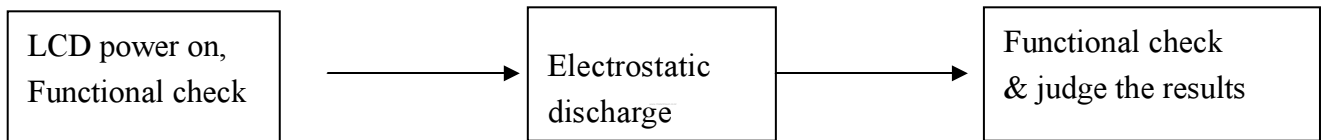
### D. Reliability Test Items

No.	Test items	Conditions	Remark
1	High temperature storage	Ta = 80□ 240Hrs	
2	Low temperature storage	Ta = -25□ 240Hrs	
3	High temperature operation	Ta = 60□ 240Hrs	
4	Low temperature operation	Ta = 0□ 240Hrs	
5	High temperature and high humidity	Ta = 60□, 90% RH 240Hrs	Operation
6	Heat shock	-25□~80□, 50 cycles, 2Hrs/cycle	Non-operation
7	Electrostatic discharge	Air-mode : +/- 8kV Contact-mode : +/- 4kV	Note.2, 3
8	Vibration (with carton)	Random vibration: 0.015G <sup>2</sup> /Hz from 5~200Hz -6dB/Octave from 200~500Hz	IEC 68-34
9	Drop (with carton)	Height: 60cm 1 corner, 3 edges, 6 surfaces	

Note1 Ta: Ambient temperature.

**Make sure protection film(s) on top of polarizer or back of LCD module is/are removed before RA test.**

Note2: ESD Testing Flow as the below,



Note 3. ESD testing method.

Ambient: 24~26°C, 56~65%RH

Instruments:NoisekenESS-2000,

Operation System: "CT30AA-A" and adapter "A015AN04 V5T0"

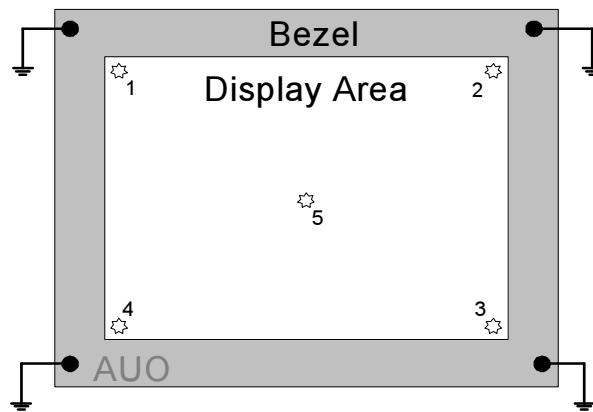
Test Mode: Operating mode, test pattern: colorbar+8Gray scale

Test Method:

Contact Discharge: 150pF(330Ω) 1sec, 5 points, 10 times/point

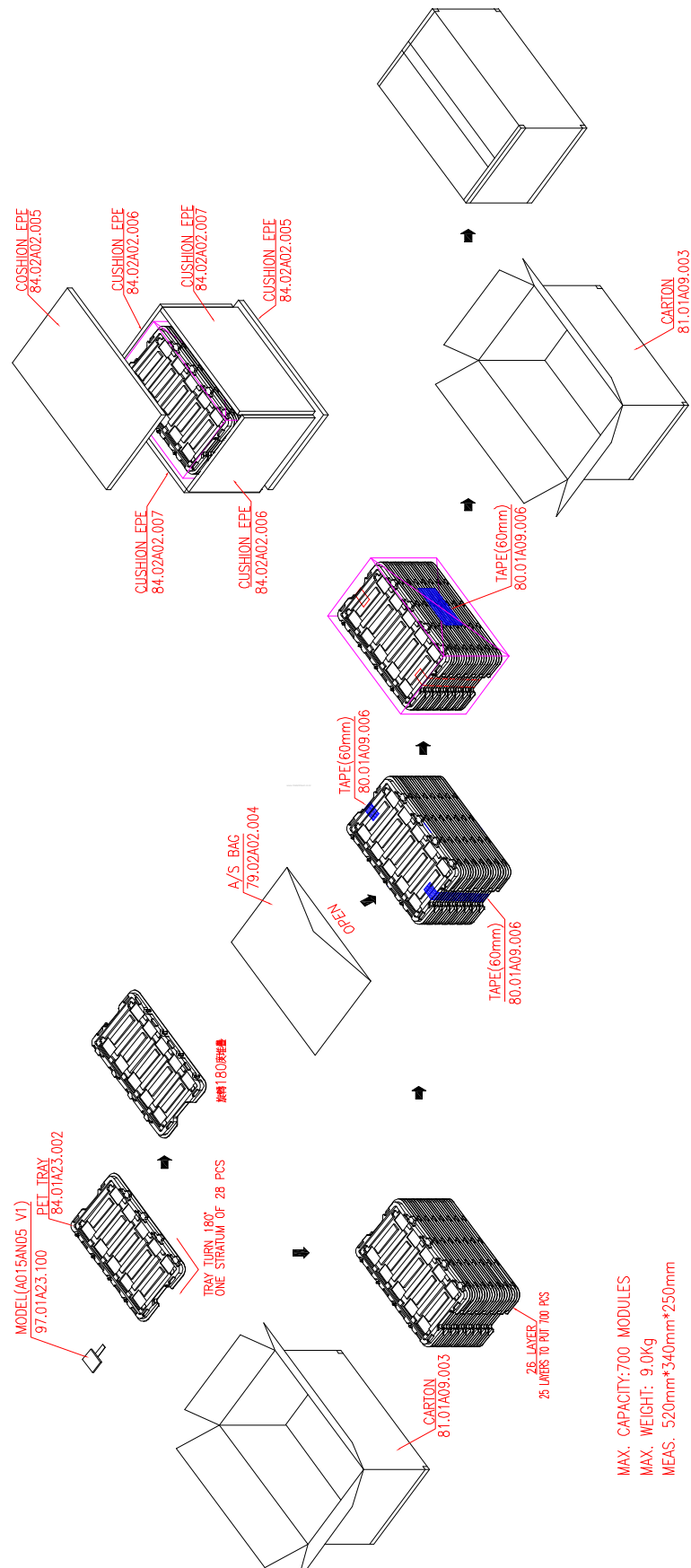
Air Discharge: 150pF(330Ω) 1sec, 5 points, 10 times/point

Test point:



The metal casing is connected to power supply ground (0V) at four corners.  
All register commands are repeating transfer.

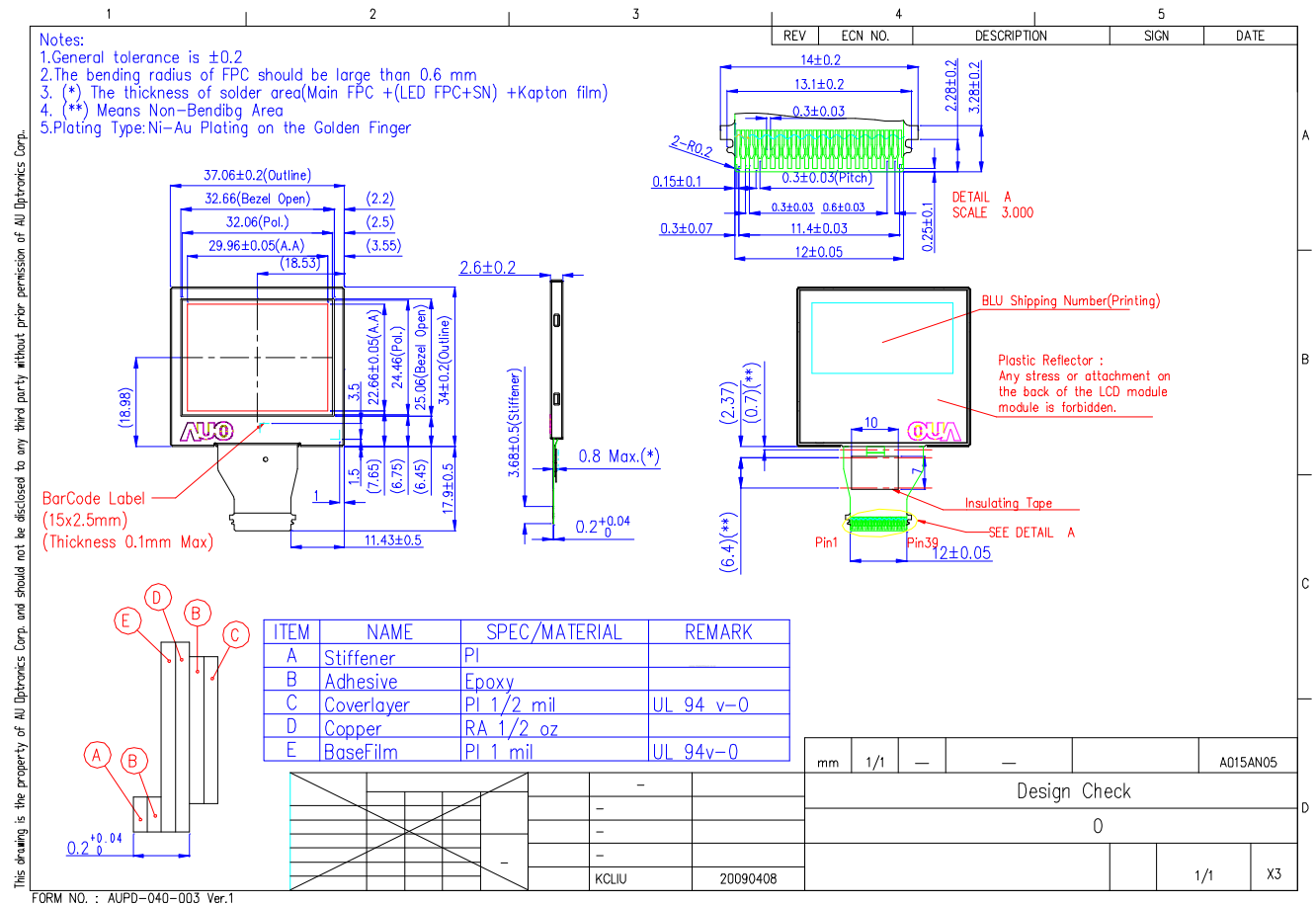
E. Packing Form



MAX. CAPACITY: 700 MODULES  
 MAX. WEIGHT: 9.0Kg  
 MEAS. 520mm\*340mm\*250mm

### F. Outline drawing

**Note: Any stress or attachment on the back of the LCD module is forbidden.**



This drawing is the property of AU Optronics Corp. and should not be disclosed to any third party without prior permission of AU Optronics Corp.

FORM NO. : AUPD-040-003 Ver.1

G. Appendix

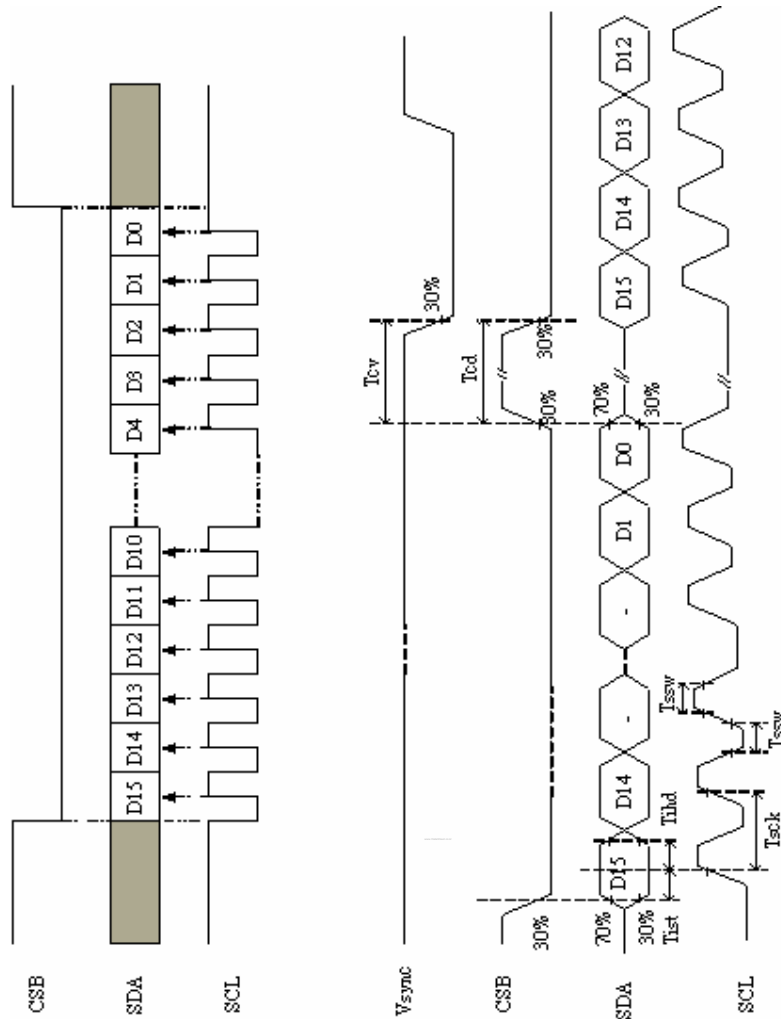


Fig. 2 3-wire programming function timing  
Fig. 5 Outline dimension of TFT-LCD module

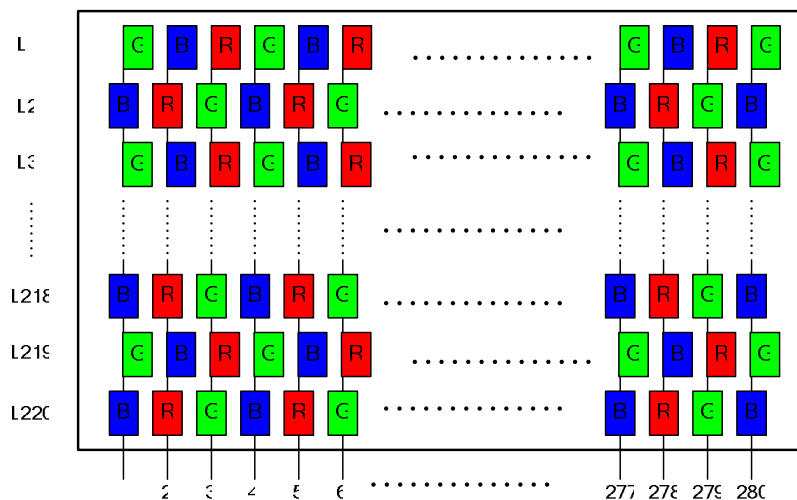


Fig. 3 Panel color Filter Alignment



## H. Suggested Application Note

A015AN05 is designed with smart integration advance (SIA) concept for DSC application. This panel integrated not only source driver & gate driver, but also built in power generator and embedded serial communication interface for the function setting.

A015AN05 is supported by two kinds of input timing format: UPS051 and UPS052. Customers can use 3-wire serial port for setting register and select different timing for their own design feature.

In this document, we list essential parameters for configuration. Please follow our recommend setting to achieve the best performance. In the last page, we provide application circuit to drive A015AN05.

For A015AN05 driving circuit design, you just need input one set of power 3.3V, because the charge-pump circuit inside the driver IC produces  $V_{gh}$  &  $V_{gl}$ . The external peripheral is very simple and good for saving BOM cost for customers.

### 1. 3-wire serial communication AC timing

Parameter	Symbol	Min.	Typ.	Max.	Unit
Serial clock	Tsck	320	-		ns
SCL pulse duty	Tscw	40	50	60	%
Serial data setup time	Tist	120	-	-	ns
Serial data hold time	Tiht	120	-	-	ns
Serial clock high/low	Tssw	120	-	-	ns
Chip select distinguish	Tcd	1	-	-	us
Time that the CSB to Vsync	Tcv	1	-	-	us

### 2. The configuration of serial data at SDA terminal is at below

MSB

LSB

D15	D14	D13	D12	D11	D10	D9	D8	D7	D6	D5	D4	D3	D2	D1	D0
Register address				DATA											





## 3. Recommend register table for UPS051 timing

No.	Description	Address															
		D15	D14	D13	D12	D11	D10	D9	D8	D7	D6	D5	D4	D3	D2	D1	D0
R0	Scan direction	0	0	0	0	0	X	X	X	X	X	X	X	X	X	0	1
R1	Data setting	0	0	1	0	0	X	X	X	X	X	X	X	X	X	0	0
R2	Source IC setting	0	1	0	0	0	X	X	X	X	X	X	X	1	1	0	0
R3	Timing select	0	1	1	0	0	X	X	X	X	X	X	X	X	0	0	0
R4	VCAC level setting	1	0	0	0	0	X	X	X	X	X	X	X	X	1	1	0
R5	HBLK setting	1	0	1	0	0	X	X	X	X	X	X	X	X	X	0	0
T0	DRV setting	0	0	0	1	0	X	X	X	X	1	1	0	0	0	0	0

“X” =>Don't care

## 4. Recommend register table for UPS052 timing

No.	Description	Address															
		D15	D14	D13	D12	D11	D10	D9	D8	D7	D6	D5	D4	D3	D2	D1	D0
R0	Scan direction	0	0	0	0	0	X	X	X	X	X	X	X	X	X	0	1
R1	Data setting	0	0	1	0	0	X	X	X	X	X	X	X	X	X	0	1
R2	Source IC setting	0	1	0	0	0	X	X	X	X	X	X	X	1	1	0	0
R3	Timing select	0	1	1	0	0	X	X	X	X	X	X	X	X	0	0	1
R4	VCAC level setting	1	0	0	0	0	X	X	X	X	X	X	X	X	1	1	0
R5	HBLK setting	1	0	1	0	0	X	X	X	X	X	X	X	X	X	0	0
T0	DRV setting	0	0	0	1	0	X	X	X	X	1	1	0	0	0	0	0

“X”=>Don't care

## 5. Register detail description

## a. Register R0

Bit	Function
D0	Up/down scan direction: “0” => Down to up “1” => Up to down
D1	Left/Right scan direction: “0” => Left to right “1” =>Right to left

## b. Register R1

Bit	Function
D0	“0” =>When UPS051 mode selected “1” =>When UPS052 mode selected
D1	Always fixed at “0”



## c. Register R2

Bit	Function
D0	Always fixed at "0"
D1	Always fixed at "0"
D2	Standby mode setting: "0" => Turn off driver & DCDC "1" => Normal operating
D3	Global reset setting: "0" => Driver control register is in reset state, all setting to default value. "1" => Normal operating;

## d. Register R3

Bit	Function
D0	"0" => To select UPS051 timing "1" => To select UPS052 timing
D1	Always fixed at "0"
D2	Always fixed at "0"

## e. Register R4 \*

Bit	Function
D0	Always fixed at "0"
D1	Always fixed at "1"
D2	Always fixed at "1"

\* Set VCOM AC level = 5.6V (Amplitude)

## f. Register R5

Bit	Function																	
D1~D0	Select the horizontal input delay timing																	
	<table border="1"> <thead> <tr> <th>DL1</th> <th>DL0</th> <th>NO.</th> <th>Level</th> </tr> </thead> <tbody> <tr> <td>0</td> <td>0</td> <td>+0</td> <td rowspan="4">Unit: DCLK</td> </tr> <tr> <td>0</td> <td>1</td> <td>-1</td> </tr> <tr> <td>1</td> <td>0</td> <td>+1</td> </tr> <tr> <td>1</td> <td>1</td> <td>+2</td> </tr> </tbody> </table>	DL1	DL0	NO.	Level	0	0	+0	Unit: DCLK	0	1	-1	1	0	+1	1	1	+2
	DL1	DL0	NO.	Level														
	0	0	+0	Unit: DCLK														
	0	1	-1															
1	0	+1																
1	1	+2																

## g. Register T0

Bit	Function
D4	PWM shutdown control circuit setting "0" => PWM control circuit will be shut down. "1" => PWM control circuit normal operation. (Default)
D5	Charge pump shutdown setting "0" => Charge pump will be shut down. "1" => Charge pump normal operation. (Default)
D6	Internal charge pump structure select "0" => Charge pump input voltage disable. (Default) "1" => Charge pump input voltage enable.

Suggested reference application circuit

External LED circuit

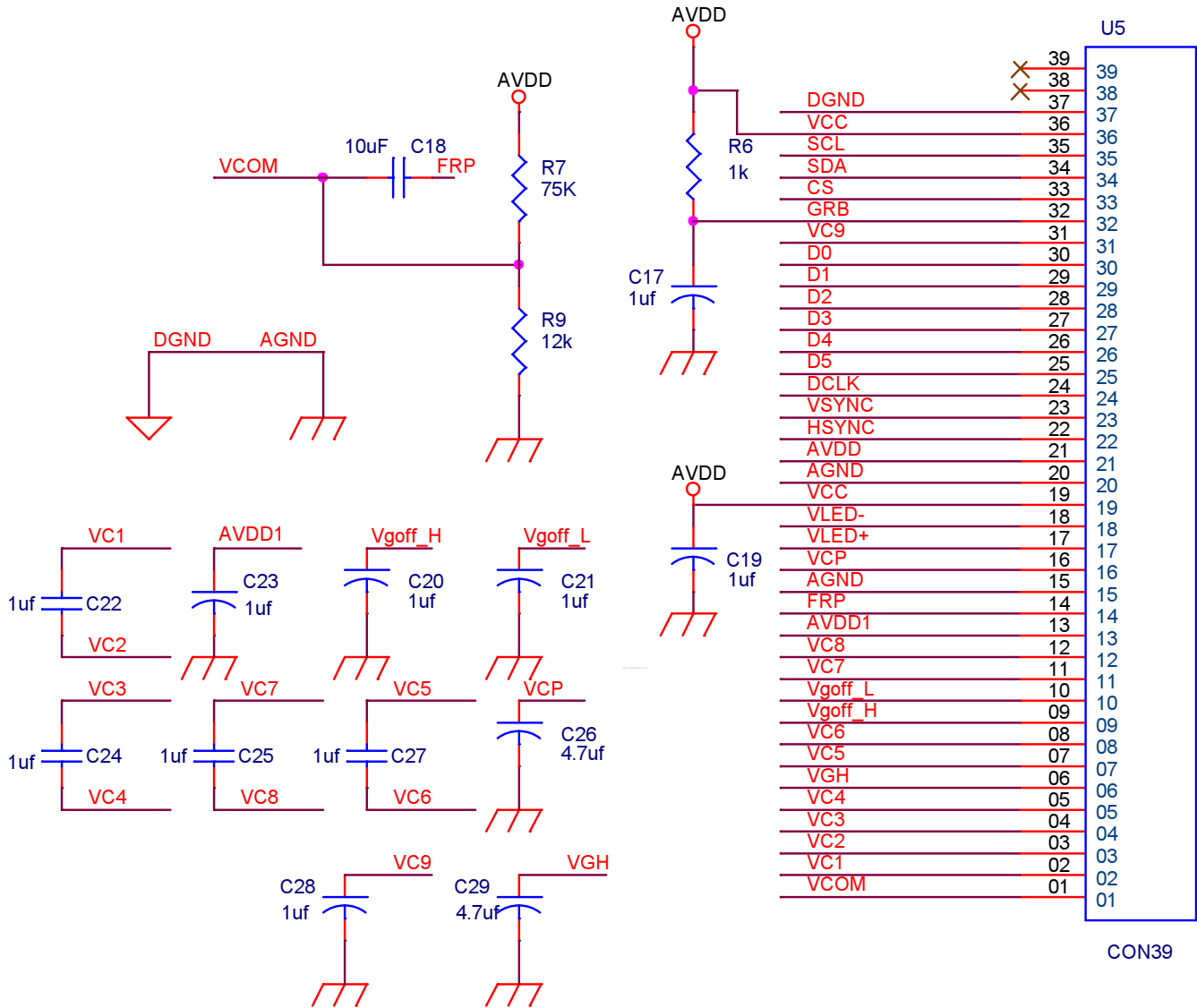


Fig. 9 External LED driver Circuit

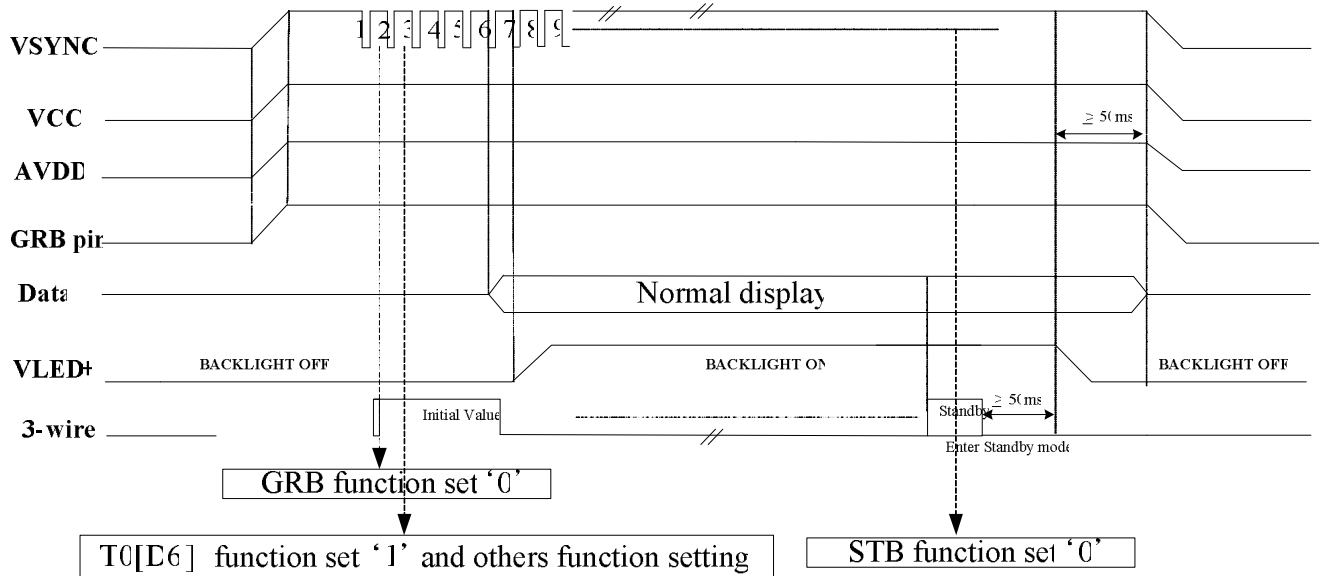
Note:

Please refer to suggestion power and standby on/off sequence.

Power supply VCC (typical 3.3V) and AVDD (typical 3.3V) are required to provide driver IC power and generate all necessary voltages for LCD related circuits.

We recommend the external LED driver circuit provide a constant 25mA for LED backlight unit. We suggest SPI setting must be turn off DRV signal. The capacitors of C28 will be used shrinkage IC.

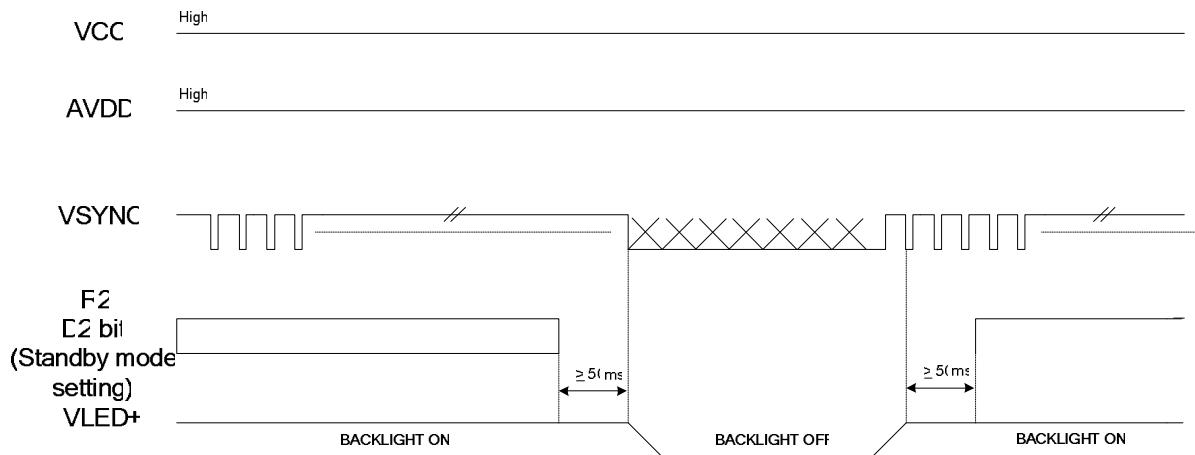
Suggestion power on/off sequence



We recommend power on/off sequence that base on application circuit to make sure power on/off function can work successfully in every time power on.

Note: In standby mode, VSYNC signal will don't care, but we suggestion VSYNC is disable.

Suggestion Standby on/off sequence



Note: xx means don't care this signal.

We recommend standby on/off sequence that base on application circuit to make sure function can work successfully.