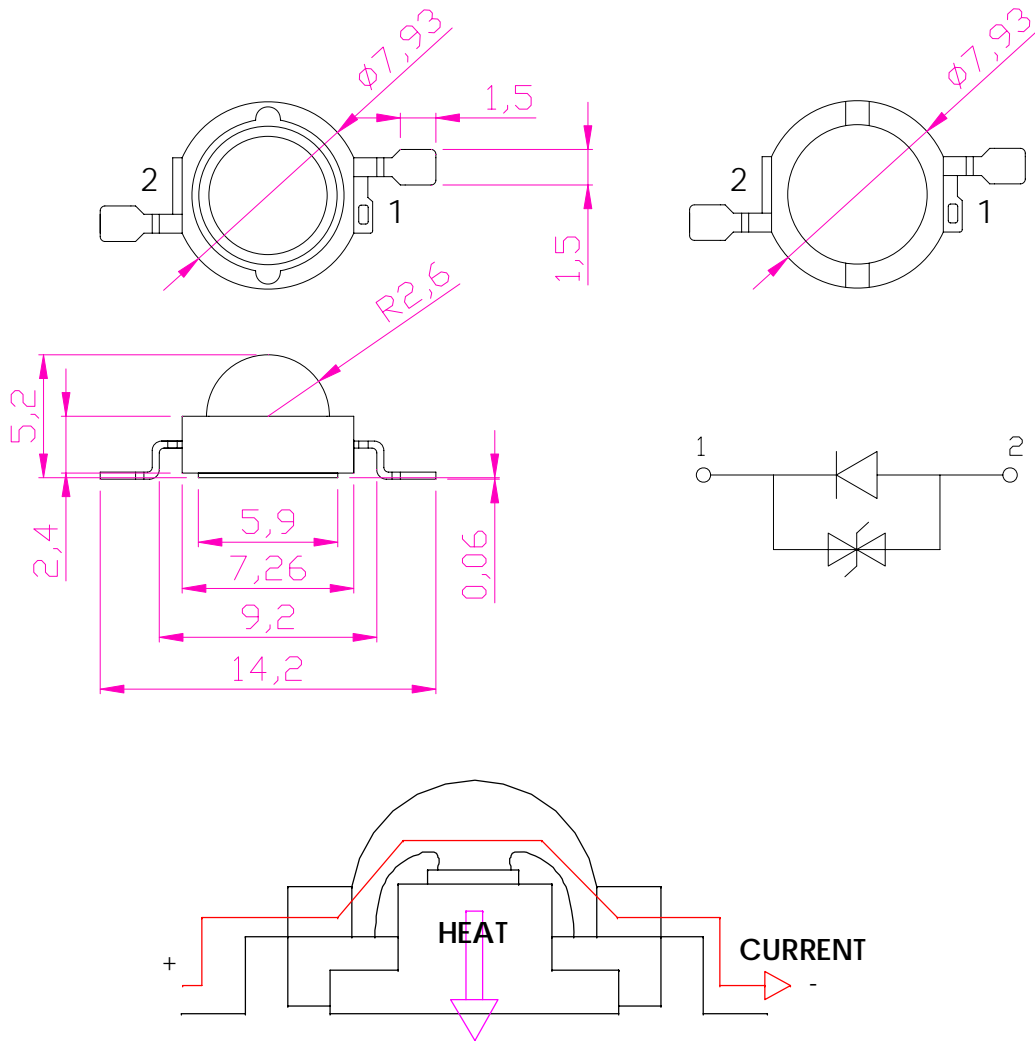



## Description

- ◆ Viewing angle:140 deg
- ◆ The materials of the LED dice is InGaN/GaN
- ◆ 14.5mm×8.0mm×5.2mm power-LED
- ◆ RoHS compliant lead-free soldering compatible

# RF-GREEN SERIES

## Package Outline





**ATTENTION**

OBSERVE PRECAUTIONS  
FOR HANDLING  
ELECTROSTATIC  
SENSITIVE DEVICES

## NOTES:

1. All dimensions are in millimeters (inches);
2. Tolerances are  $\pm 0.3\text{mm}$  (0.012inch) unless otherwise noted.

### Absolute maximum ratings at Ta=25°C

Parameter	Symbol	Value	Unit
Power dissipation	Pd	1225	mW
Forward DC current	If	350	mA
Reverse DC voltage	Vr	5	V
Operating temperature range	Top	-40 ~+100	°C
Storage temperature range	Tstg	-40~+100	°C
Peak pulsing current	I <sub>fp</sub>	1000	mA

### Electro-optical characteristics at Ta=25°C

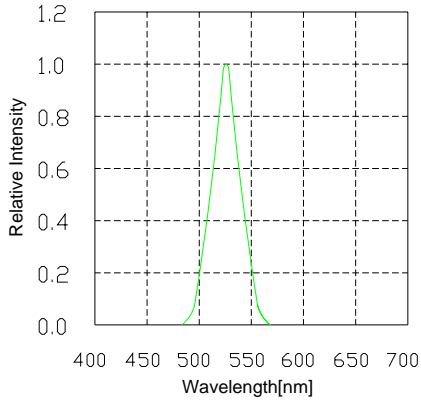
Parameter	Test Condition	Symbol	Value			Unit
			Min.	Typ.	Max.	
Forward voltage	If=350mA	Vf	3.0	--	3.5	V
Dominant wavelength	If=350mA	$\lambda_d$	520	--	525	nm
	If=350mA	$\lambda_d$	525	--	530	nm
Luminous flux	If=350mA	$\Phi$	50	--	80	lm
Luminous intensity	If=350mA	Iv	16000	--	25600	mcd
Viewing angle at 50% Iv	If=350mA	2 $\theta$ 1/2	--	140	--	Deg
Reverse current	Vr=5V	Ir	--	--	50	$\mu$ A

**NOTE:** (Tolerance:  $\Phi \pm 10\%$ , X/Y  $\pm 0.01$ , Vf  $\pm 0.1V$ )  
 IFP Conditions : Pulse Width  $\leq 10\text{msec.}$  and Duty  $\leq 1/10$ .

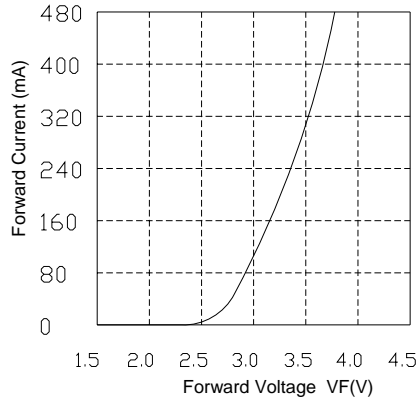
## Optical characteristics curves

### Spectral Distribution

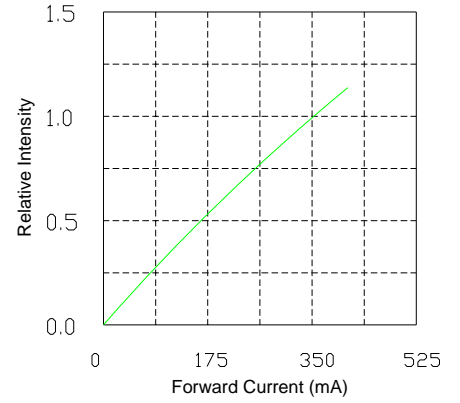
Relative Intensity vs. Wavelength (Ta=25° C)



Forward Voltage vs. Forward Current (Ta=25° C)

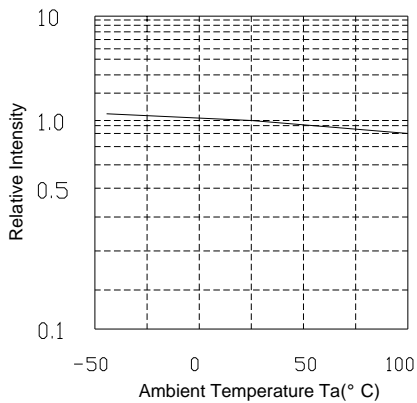


Relative Intensity vs. Forward Current (Ta=25° C)

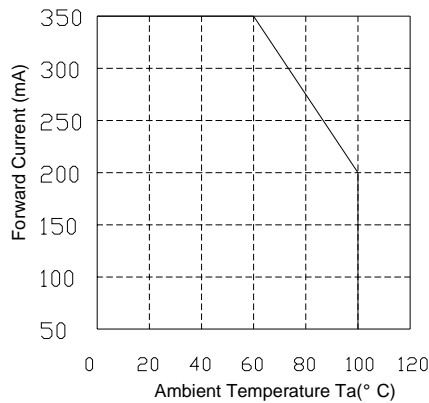


### Derating

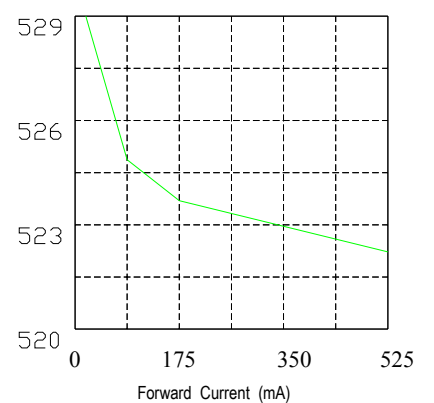
Relative Intensity vs. Ambient Temperature



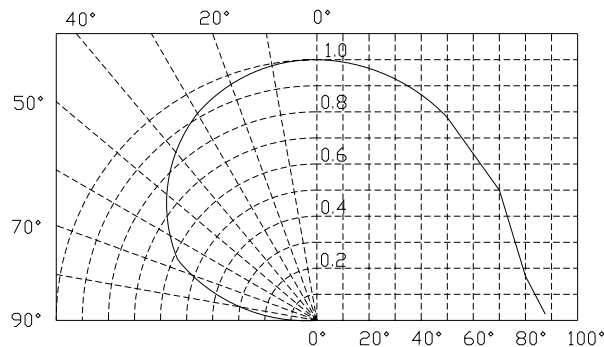
Ambient Temperature vs. Maximum Forward Current



Forward Current vs. Chromaticity (Ta=25° C)



### Diagram characteristics of radiation





**Reliability**

(1) TEST ITEMS AND RESULTS

Type	Test Item	Ref. Standard	Test Conditions	Note	Number of Damaged
Environmental Sequence	Temperature Cycle	JESD22-A104	-40°C 30min ↑↓5min 100°C 30min	1000 cycle	0/100
	Thermal Shock	JESD22-A106	-40°C 15min ↑↓ 100°C 15min	1000 cycle	0/100
	High Temperature Storage	JESD22-A103	T <sub>a</sub> =100°C	1000 hrs	0/100
	Low Temperature Storage	JESD22-A119	T <sub>a</sub> =-40°C	1000 hrs	0/100
	Power temperature cycling	JESD22-A105	On 5min -40°C>15min ↑↓ ↑↓<15min Off5min 100°C>15min	100 cycle	0/100
Operation Sequence	Life Test	JESD22-A108	T <sub>a</sub> =25°C I <sub>F</sub> =350mA	1000 hrs	0/100
	High Humidity Heat Life Test	JESD22-A101	60°C RH=90% I <sub>F</sub> =350mA	1000 hrs	0/100

(2) CRITERIA FOR JUDGING THE DAMAGE

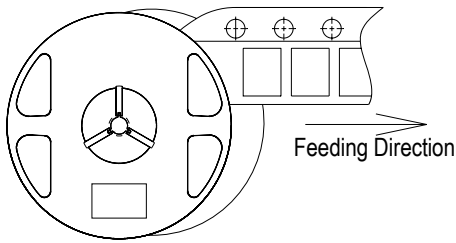
Item	Symbol	Test Conditions	Criteria for Judgement	
			Min.	Max.
Forward Voltage	VF	IF=175mA	-	U.S.L*)×1.1
Reverse Current	IR	VR=5V	-	U.S.L*)×2.0
Luminous flux	Φ	IF=175mA	L.S.L**)×0.7	-

**U.S.L.:** Upper Standard Level

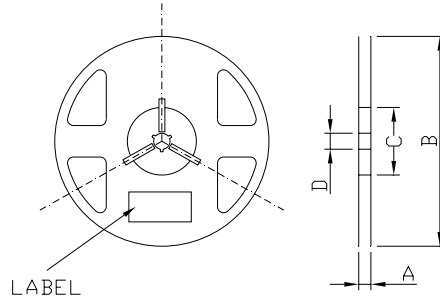
**L.S.L.:** Lower Standard Level

## Packaging Specifications

### ● Feeding Direction

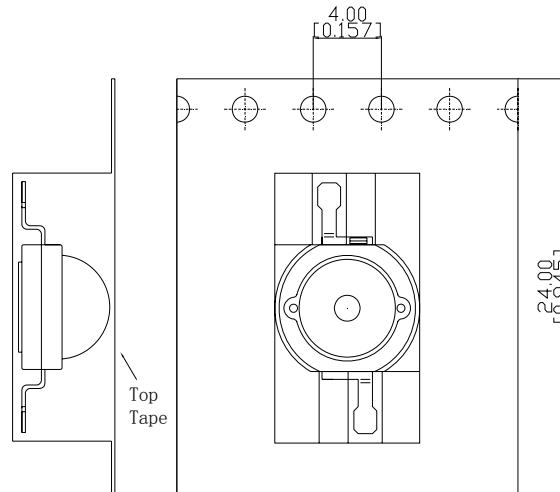


### ● Dimensions of Reel (Unit: mm)

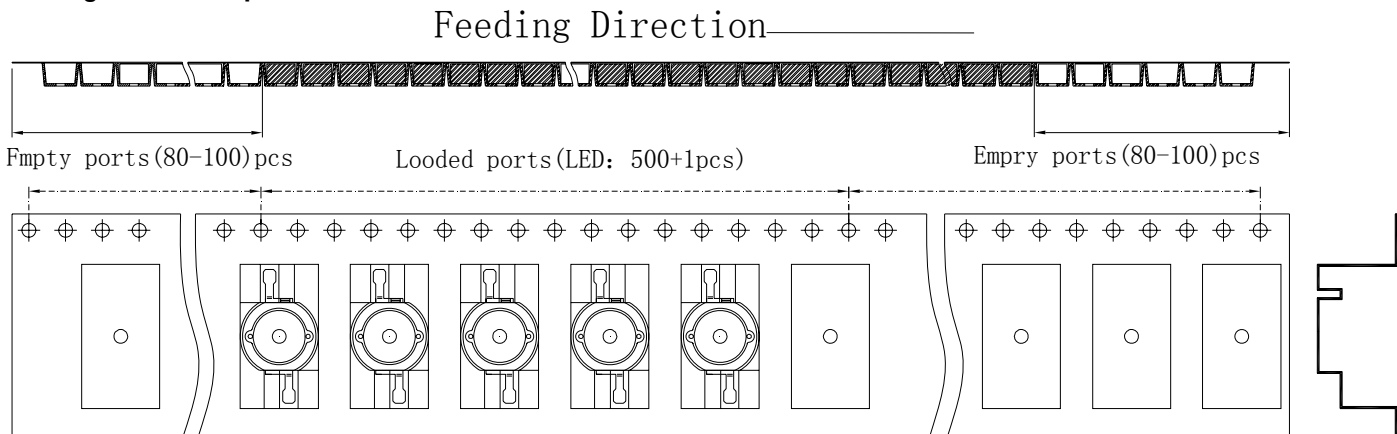


A	24.5±0.1mm
B	330±1mm
C	110±1mm
D	13.0±0.5mm

### ● Dimensions of Tape (Unit: mm)



### ● Arrangement of Tape

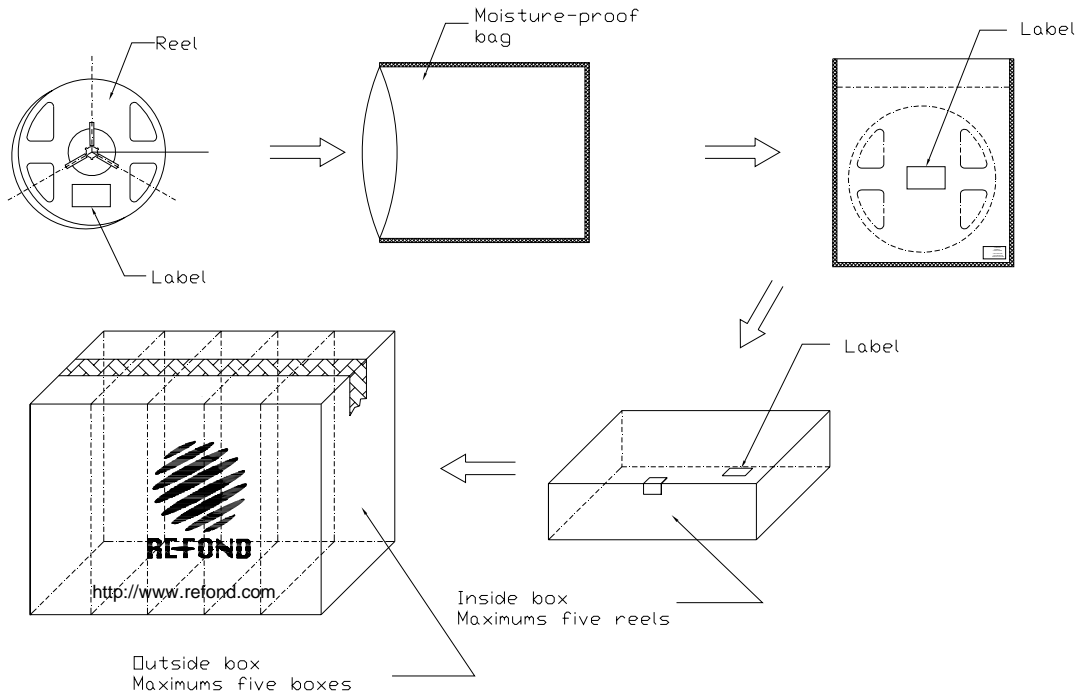


## NOTES

1. Empty component pockets are sealed with top cover tape;
2. The maximum number of missing lamps is two;
3. The cathode is oriented towards the tape sprocket hole in accordance with ANSI/EIA RS-481 specifications.
4. 500 pcs/ Reel.



## Packaging specifications



### Label

<b>PART NO.</b>	
<b>LOT NO.</b>	
<b>BIN CODE:</b>	<b>QTY: PCS</b>
	<b>DATE:</b>

## CAUTIONS

### Package specifications

Reeled products (numbers of products are 500pcs) packed in a seal off moisture-proof bag along with a desiccant one by one, Five moisture-proof bag of maximums (total maximum number of products are 2,500pcs) packed in an inside box (size: about 350mm x about 350 x about 165mm), and it is packed. (Part No., Lot No., quantity should appear on the label on the moisture-proof bag, part No. And quantity should appear on the label on the cardboard box.)

### Storage conditions

#### Before opening the package:

The LEDs should be kept at 30°C or less and 90%RH or less. The LEDs should be used within a year. When storing the LEDs, moisture proof packaging with absorbent material (silica gel) is recommended.

#### After opening the package:

The LEDs should be kept at 30°C or less and 70%RH or less. The LEDs should be soldered within 168 hours (7days) after opening the package. If unused LEDs remain, they should be stored in moisture proof packages, such as sealed containers with packages of moisture absorbent material (silica gel). It is also recommended to return the LEDs to the original moisture proof bag and to reseal the moisture proof bag again.