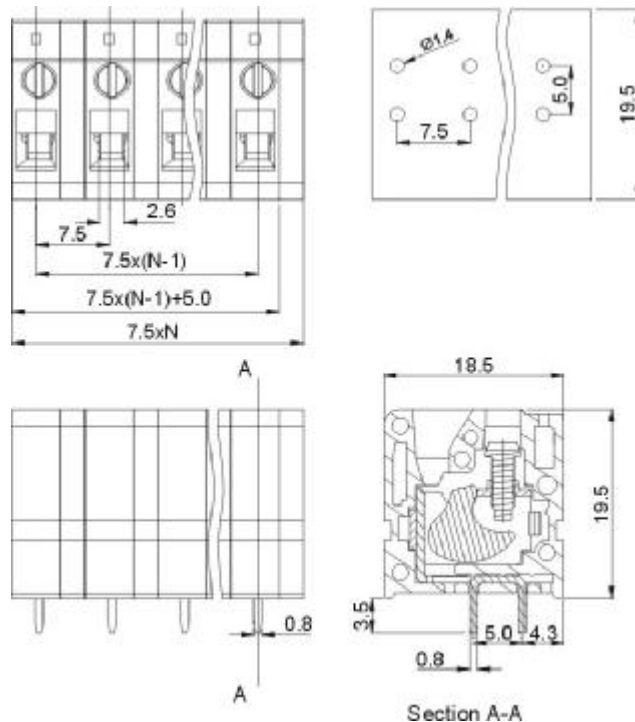


**DG105V-7.5**

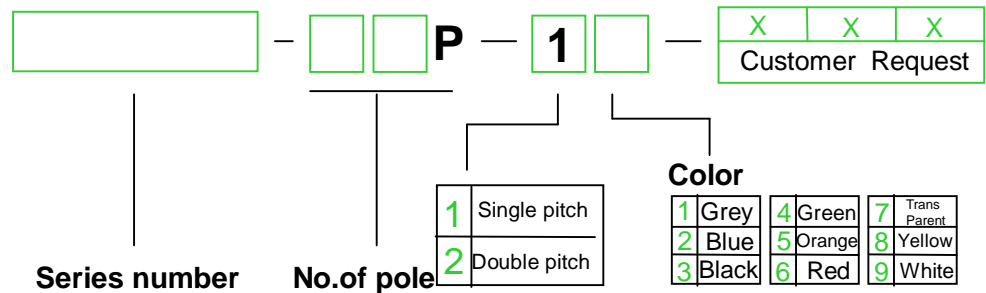



<b>APPROVAL</b>	UL US		CE
<b>Electrical</b>			
Standard	UL	IEC	
Rated voltage	300V	450V	
Rated current	12A	24A	
Wire range	30-12AWG	0.5-2.5mm <sup>2</sup>	
Withstanding voltage	AC2500V/1Min		

<b>Mechanical</b>			
Torque	0.4Nm(3.5Lb-In)		
Ambient temperature	-40°C~+105 °C		
Strip length	9mm		
<b>Dimensions</b>			
pitch	7.5mm(. 295" )		
Poles	1P-XXP		

<b>Material</b>			
Housing	PA66,UL94V-0		
Screws	M2.5,Steel, Cr <sup>3+</sup> Znplated		
Pin header	Copper,Tin-plated		
Cage	Steel,Cr <sup>3+</sup> Znplated		

### HOW TO ORDER :



mm (INCH)	 <b>DEGSON ELECTRONICS CO., LTD.</b>
THROANGLE PROJECTION	<b>NAME</b> <b>DG105V-7.5</b>