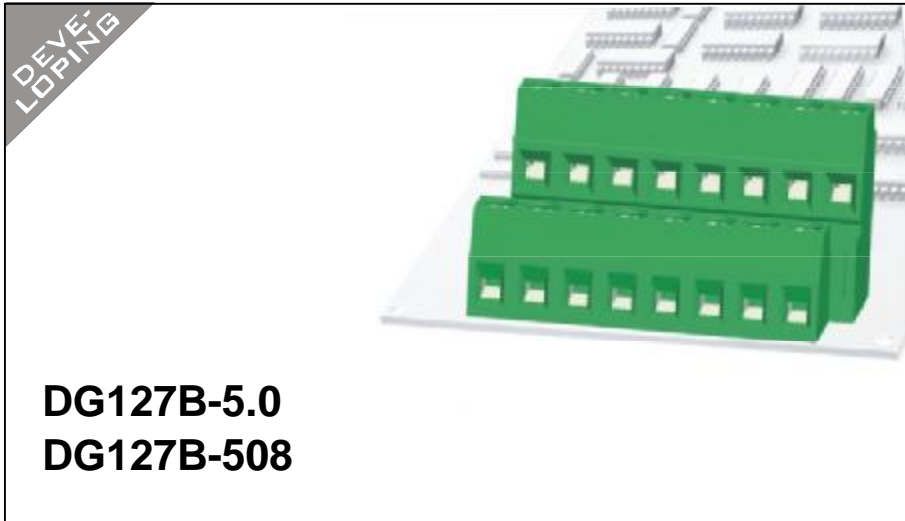


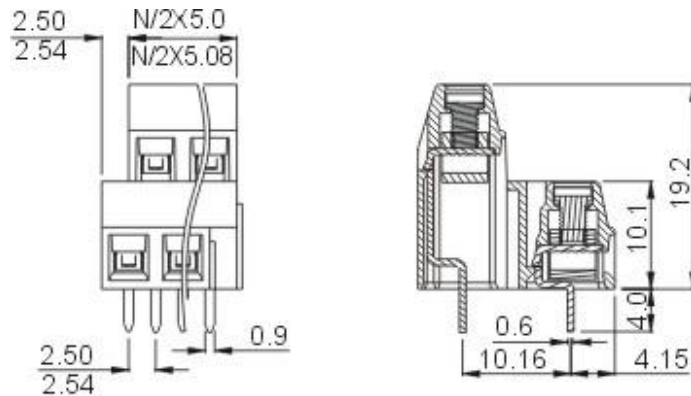


# DEGSON ELECTRONICS CO., LTD.

## Product Specification



**DG127B-5.0**  
**DG127B-508**



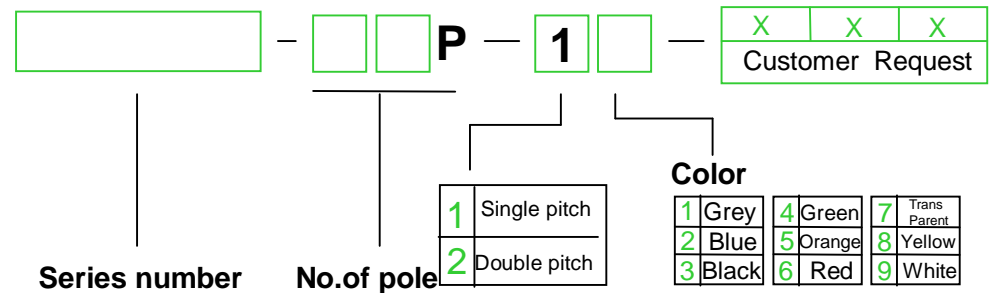
PCB LAYOUT

APPROVAL		
<b>Electrical</b>		
Standard	<b>UL</b>	<b>IEC</b>
Rated voltage	300V	250V
Rated current	12A	15A
Wire range	26-14AWG	1.5mm <sup>2</sup>
Withstanding voltage	AC2000V/1Min	

Mechanical		
Torque	0.4Nm(3.5Lb-In)	
Ambient temperature	-40°C~+105°C	
Strip length	6mm	
Dimensions		
pitch	5.0mm(.197" ) 5.08mm(.200" )	
Poles	2*(2P,3P-24P)	

Material	
Housing	PA66,UL94V-0
Screws	M2.5,Steel, Cr <sup>3+</sup> Znplated
Pin header	Brass,Tin-plated
Cage	Brass,Ni-plated

### HOW TO ORDER :



	<b>DEGSON ELECTRONICS CO., LTD.</b>
	<b>NAME DG127B-5.0 DG127B-5.08</b>