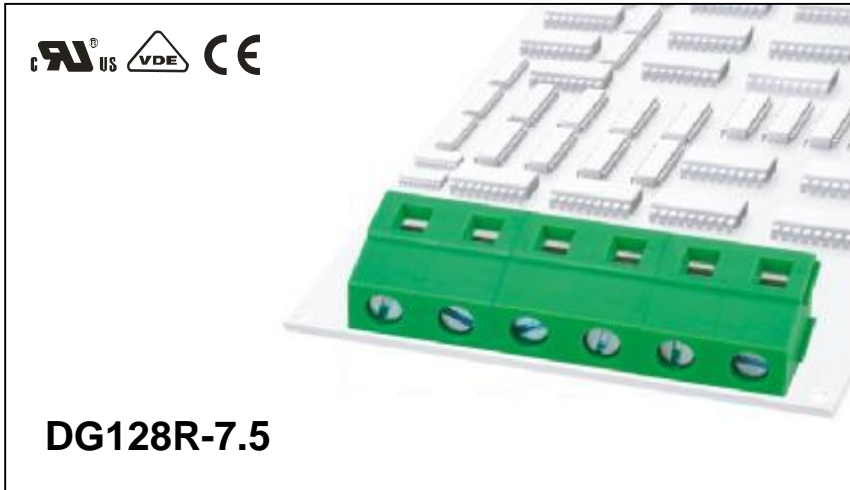


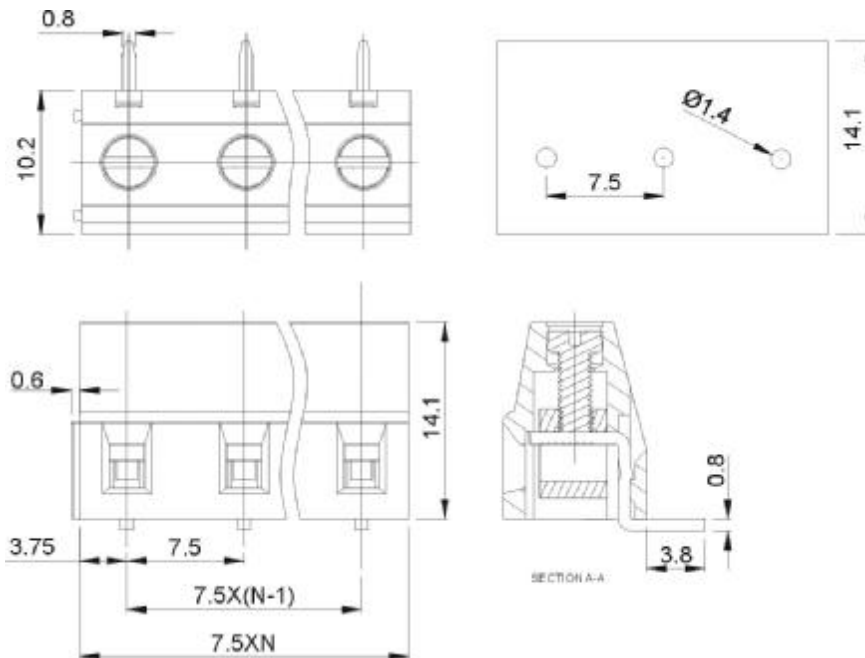


DEGSON ELECTRONICS CO., LTD.

Product Specification



DG128R-7.5

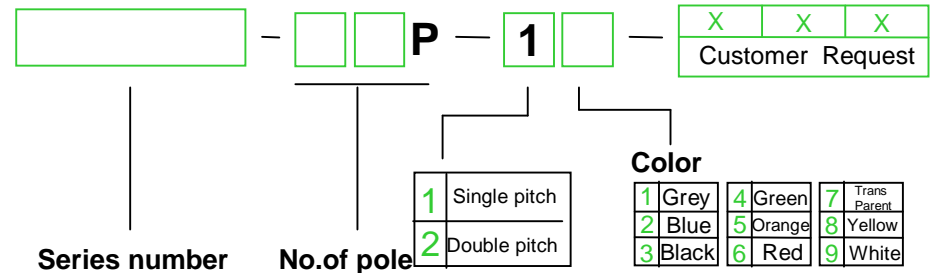


APPROVAL		
Electrical	UL	IEC
Standard		
Rated voltage	300V	450V
Rated current	10A	18A
Wire range	24-12AWG	2.5mm ²
Withstanding voltage	AC2500V/1Min	

Mechanical		
Torque	0.4Nm(3.5Lb-In)	
Ambient temperature	-40°C~+105 °C	
Strip length	7mm	
Dimensions		
pitch	7.5mm(.295")	
Poles	2P,3P-24P	

Material		
Housing	PA66,UL94V-0	
Screws	M2.5,Steel, Cr ³⁺ Znplated	
Pin header	Brass,Tin-plated	
Cage	Brass,Ni-plated	

HOW TO ORDER :



 mm (INCH)	DEGSON ELECTRONICS CO., LTD.
 THROANGLE PROJECTION	NAME DG128R-5.0