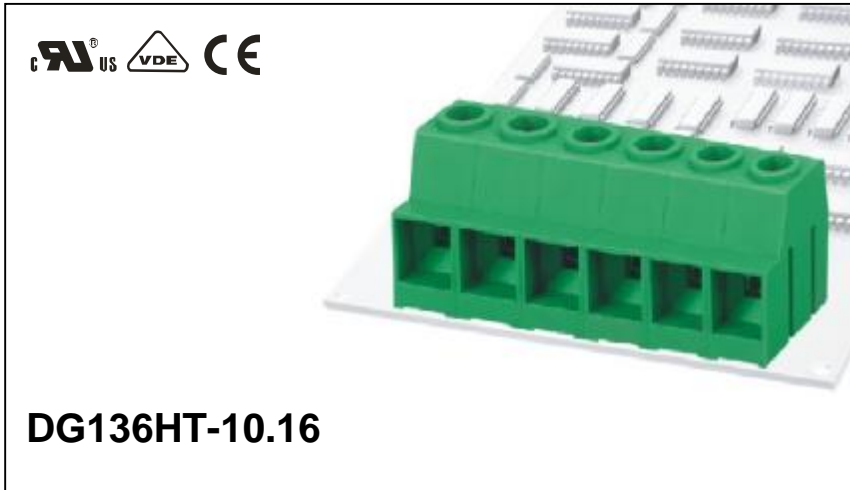




DEGSON ELECTRONICS CO., LTD.

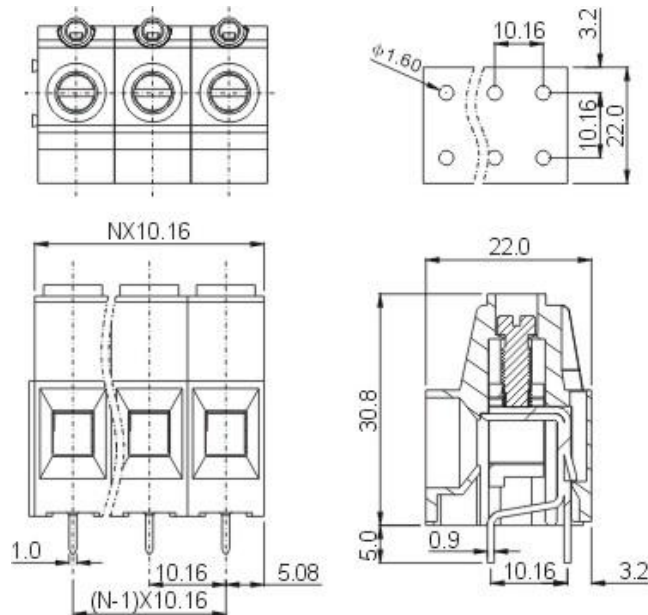
Product Specification



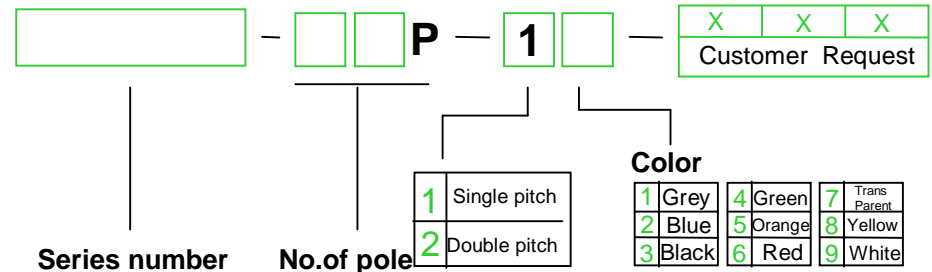
APPROVAL		
Electrical	UL	IEC
Standard	600V	1000V
Rated voltage	60A	65A
Rated current	20-6AWG	2.5-16mm ²
Wire range	AC3500V/1Min	
Withstanding voltage		

Mechanical		
Torque	1.2Nm(10.5Lb-In)	
Ambient temperature	-40°C~+105 °C	
Strip length	10mm	
Dimensions		
pitch	10.16mm(. 400")	
Poles	2P,3P-24P	

Material		
Housing	PA66,UL94 V-0	
Screws	M4,Brass, Ni-plated	
Pin header	Copper,Tin-plated	
Case	Brass,Ni-plated	



HOW TO ORDER :



	DEGSON ELECTRONICS CO., LTD.
	NAME DG136HT-10.16