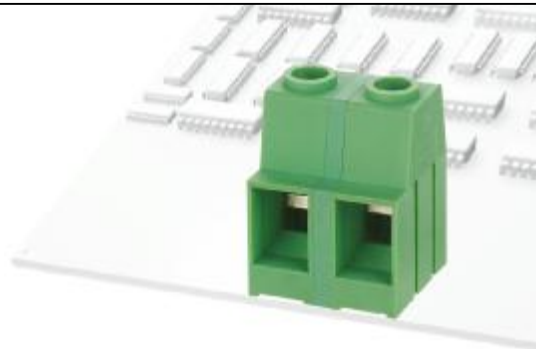


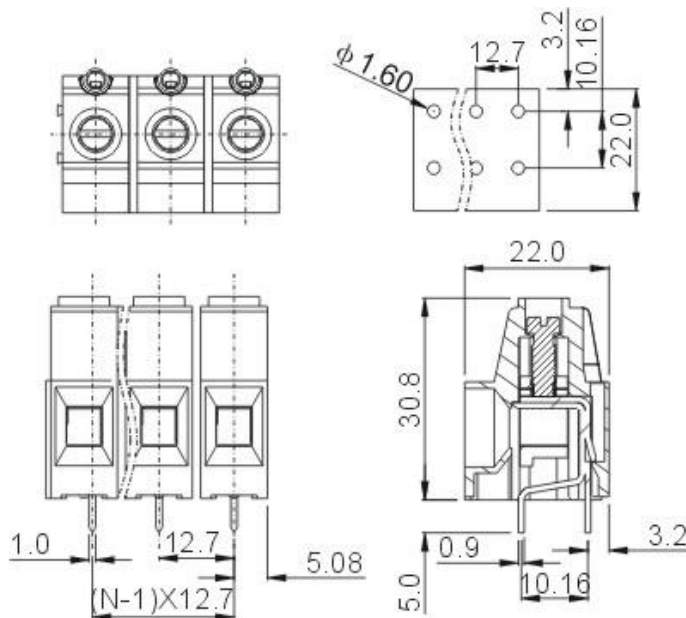


DEGSON ELECTRONICS CO., LTD.

Product Specification



DG136HT-12.70



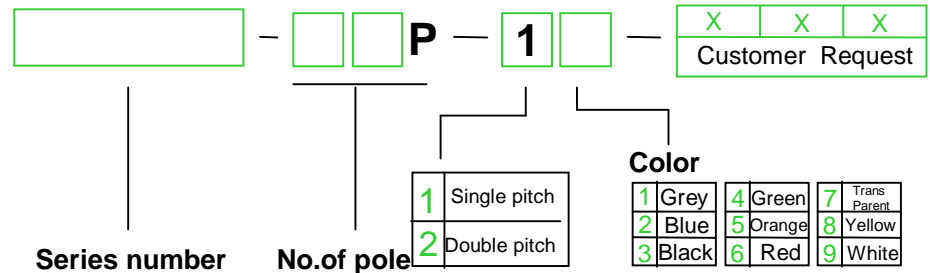
APPROVAL		
Electrical		
Standard	UL	IEC
Rated voltage	600V	1000V
Rated current	60A	65A
Wire range	20-6AWG	2.5-16mm ²
Withstanding voltage	AC3500V/1Min	

Mechanical	
Torque	1.2Nm(10.5Lb-In)
Ambient temperature	-40°C~+105 °C
Strip length	10mm

Dimensions	
pitch	12.70mm(. 500")
Poles	2P-XXP

Material	
Housing	PA66,UL94V-0
Screws	M4,Brass, Ni-plated
Pin header	Copper,Tin-plated
Cage	Brass,Ni-plated

HOW TO ORDER :



mm (INCH)	DEGSON ELECTRONICS CO., LTD.
THROANGLE PROJECTION	NAME DG136HT-12.70