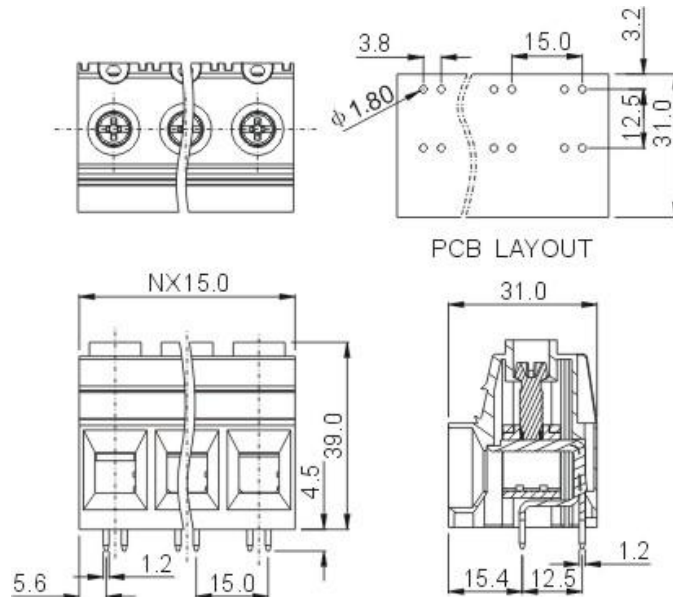
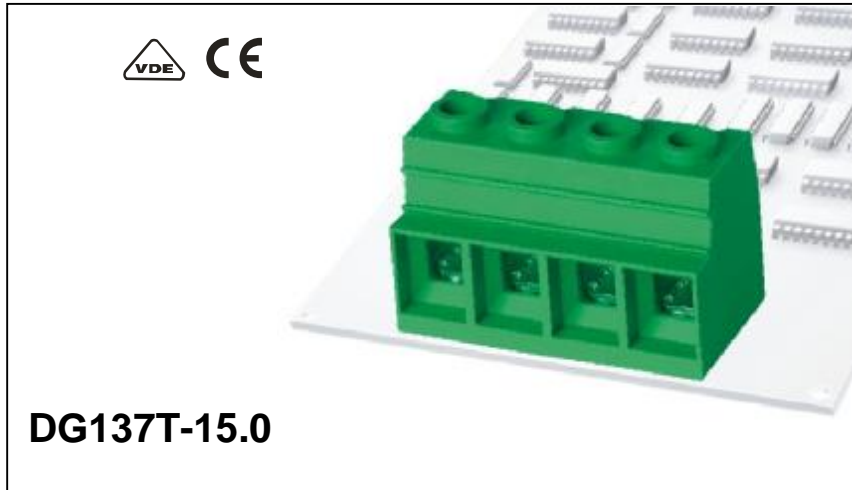




DEGSON ELECTRONICS CO., LTD.

Product Specification



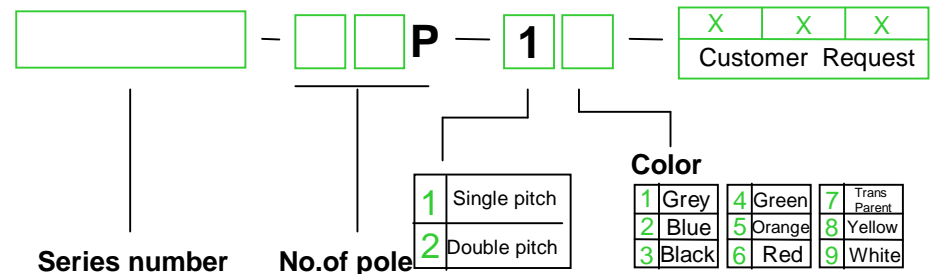
APPROVAL	VDE	
Electrical	UL	IEC
Standard	600V	1000V
Rated voltage	115A	115A
Rated current	20-2AWG	25.0mm ²
Wire range	AC3500V/1Min	
Withstanding voltage		

Mechanical		
Torque	2.0Nm(17.5Lb-In)	
Ambient temperature	-40°C~+105 °C	
Strip length	18mm	

Dimensions		
pitch	15.0mm(. 590")	
Poles	2P,3P-9P	

Material		
Housing	PA66,UL94V-0	
Screws	M5,Steel, Cr ³⁺ Znplated	
Pin header	Copper,Tin-plated	
Cage	Steel,Cr ³⁺ Znplated	

HOW TO ORDER :



mm (INCH)	DEGSON ELECTRONICS CO., LTD.
THROANGLE PROJECTION	NAME DG137T-15.0