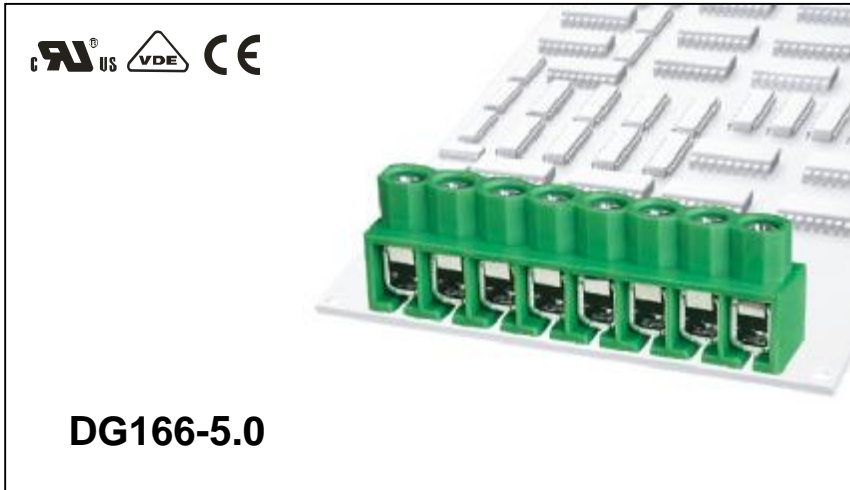




# DEGSON ELECTRONICS CO., LTD.

## Product Specification



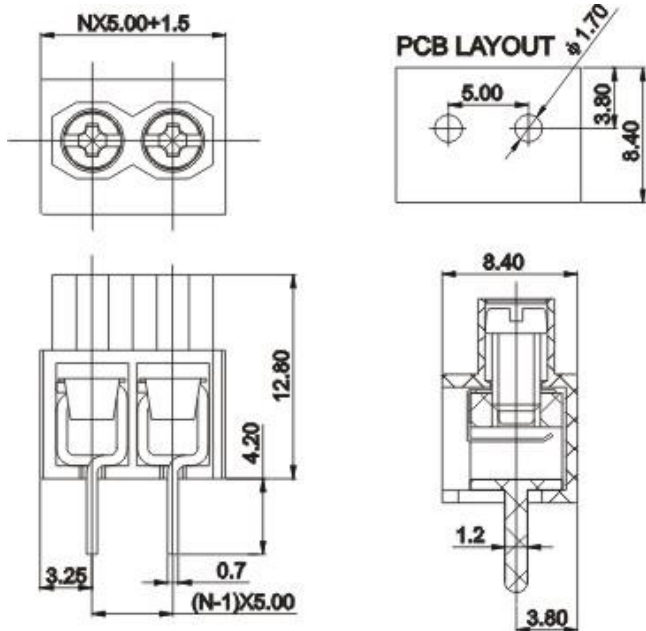
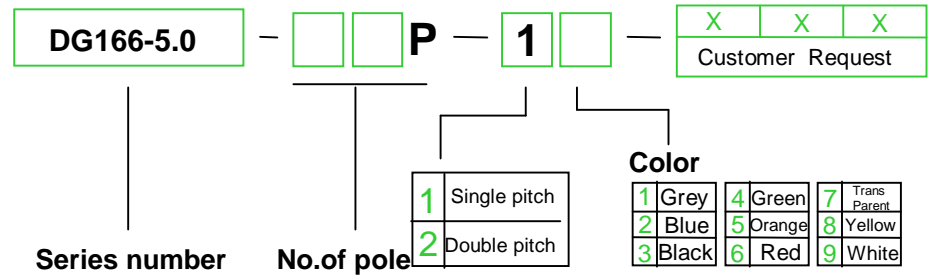
<b>APPROVAL</b>		
<b>Electrical</b>	<b>UL</b>	<b>IEC</b>
Standard	300V	250V
Rated voltage	15A	22A
Rated current	22-12AWG	2.5mm <sup>2</sup>
Wire range	AC2000V/1Min	
Withstanding voltage		

<b>Mechanical</b>		
torque	0.5Nm(4.4Lb-In)	
Ambient temperature	-40°C ~ +105 °C	
Strip length	6-7mm	

<b>Dimensions</b>		
pitch	5.0mm(.197" )	
Poles	2P,3P-24P	

<b>Material</b>		
Housing	PA66,UL94V-0	
Screws	M2.5,steel, Cr <sup>3+</sup> Znplated	
Pin header	Brass, Tin plated	
Wire guard	Stainless steel	

### HOW TO ORDER :



 mm (INCH)	 <b>DEGSON ELECTRONICS CO., LTD.</b>
 THROANGLE PROJECTION	<b>NAME</b> <b>DG166-5.0</b>