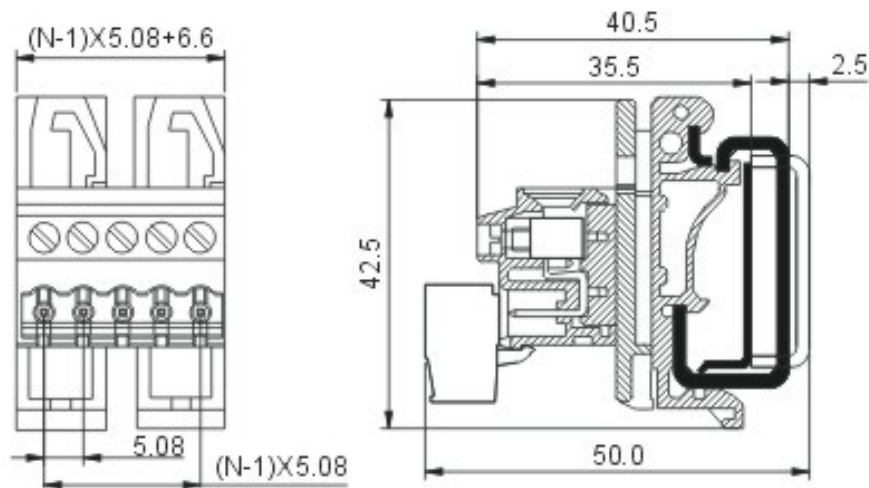




DEGSON ELECTRONICS CO., LTD.

Product Specification

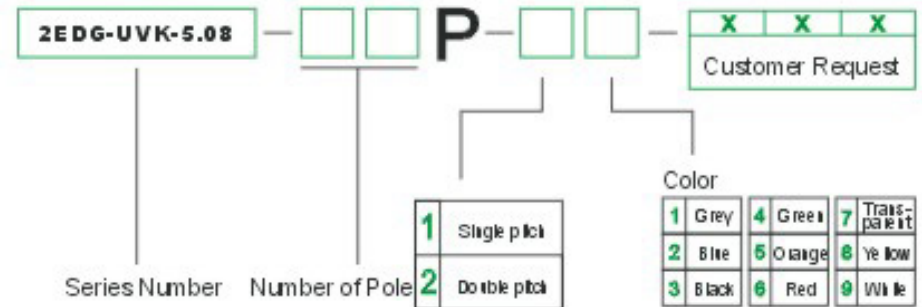


Approval		
Electrical		
Standard	UL	IEC
Rated voltage	300V	320V
Rated current	15A	20A
Wire range	28-12AWG	2.5mm ²
With standing voltage	AC2500V/1 Min	

Mechanical		
Torque	0.4Nm(3.5Lb-In.)	
Ambient temperature	-40°C~+105°C	
Strip length	7mm	
Dimensions		
Pitch	5.08 mm(.200")	
Poles	2P-24P	

Material		
Housing	PA66, UL94V-0	
Screws	M2.5, steel, Cr ³⁺ Zn plated	
Contact	Copper	
Cage	Brass, Ni plated	

HOW TO ORDER



	DEGSON ELECTRONICS CO., LTD.
	NAME: 2EDG-UVK-5.08