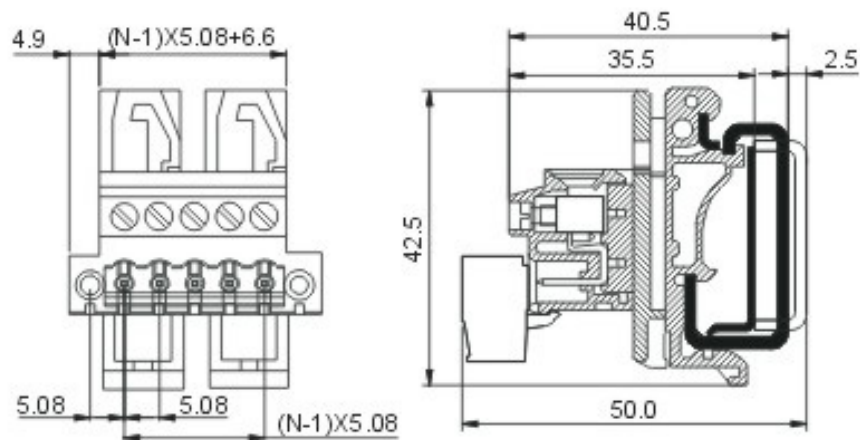




DEGSON ELECTRONICS CO., LTD.

Product Specification



Approval

Electrical

| | | |
|-----------------------|---------------|--------------------|
| Standard | UL | IEC |
| Rated voltage | 300V | 320V |
| Rated current | 15A | 20A |
| Wire range | 28-12AWG | 2.5mm ² |
| With standing voltage | AC2500V/1 Min | |

Mechanical

| | | |
|---------------------|------------------|--|
| Torque | 0.4Nm(3.5Lb-In.) | |
| Ambient temperature | -40°C~+105°C | |
| Strip length | 7mm | |

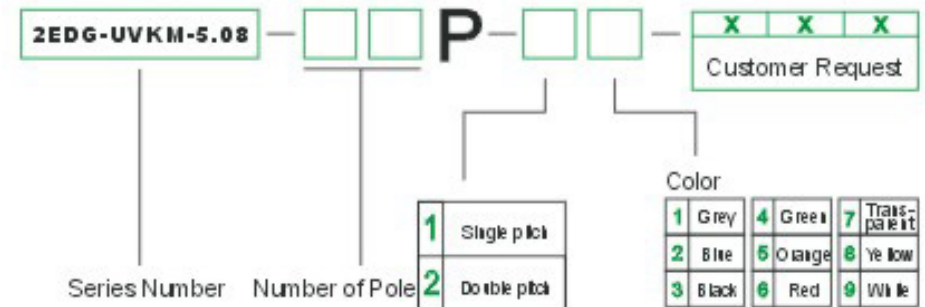
Dimensions

| | | |
|-------|---------------|--|
| Pitch | 5.08mm(.200") | |
| Poles | 2P-22P | |

Material

| | | |
|---------|---|--|
| Housing | PA66, UL94V-0 | |
| Screws | M2.5, steel, Cr ³⁺ Zn plated | |
| Contact | Copper | |
| Cage | Brass, Ni plated | |

HOW TO ORDER



| | |
|--|--------------------------------------|
| | DEGSON ELECTRONICS CO., LTD. |
| | NAME 2EDG-UVKM-5.08 |