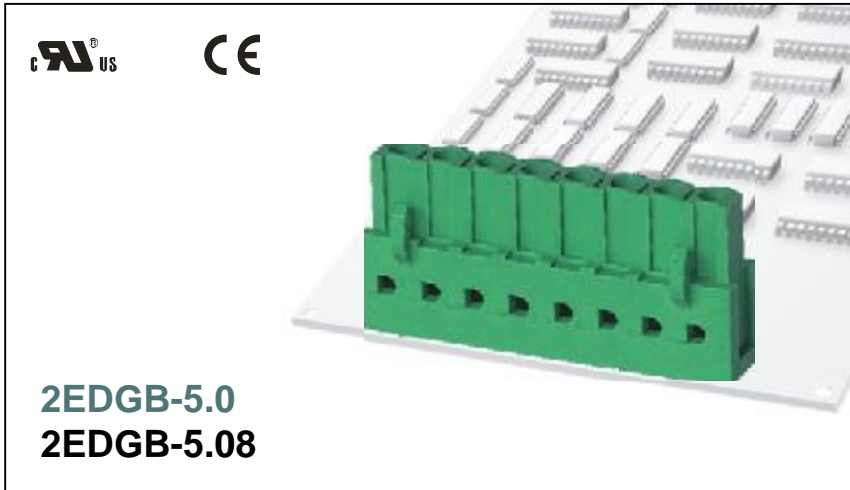


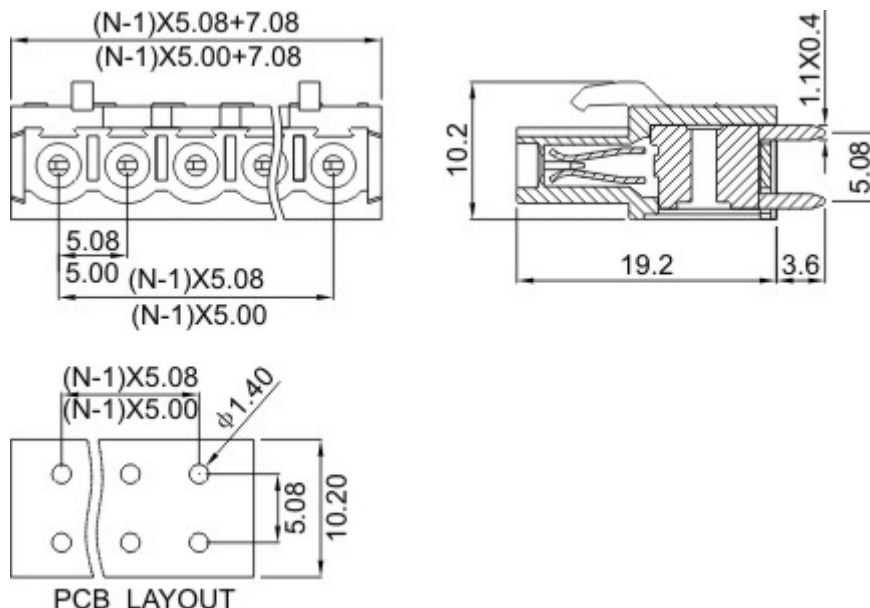


# DEGSON ELECTRONICS CO., LTD.

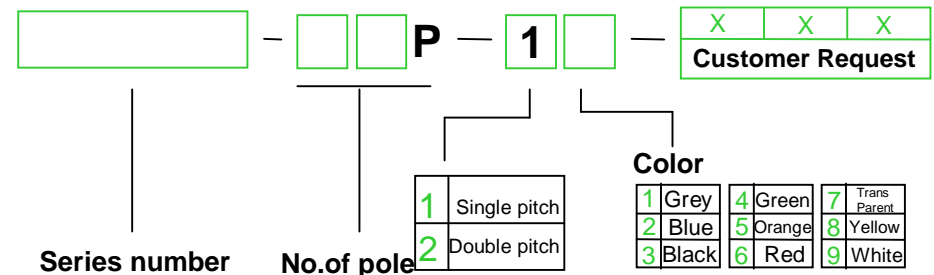
## Product Specification



|                      |                            |            |
|----------------------|----------------------------|------------|
| <b>APPROVAL</b>      |                            |            |
| <b>Electrical</b>    | <b>UL</b>                  | <b>IEC</b> |
| Standard             |                            |            |
| Rated voltage        | 300V                       | 320V       |
| Rated current        | 15A                        | 20A        |
| Withstanding voltage | AC2500V/1Min               |            |
| <b>Mechanical</b>    |                            |            |
| Ambient temperature  | -40°C~+105 °C              |            |
| <b>Dimensions</b>    |                            |            |
| Pitch                | 5.0mm(.197) 5.08mm(.200")  |            |
| Poles                | 2P-24P                     |            |
| <b>Material</b>      |                            |            |
| Housing              | PA66,UL94 V-0              |            |
| Contact              | Phosphor bronze,Tin plated |            |



### HOW TO ORDER :



|  |  |
|--|--|
|  | <b>DEGSON ELECTRONICS CO., LTD.</b>        |
|  | <b>NAME</b><br><b>2EDGB-5.0 2EDGB-5.08</b> |