

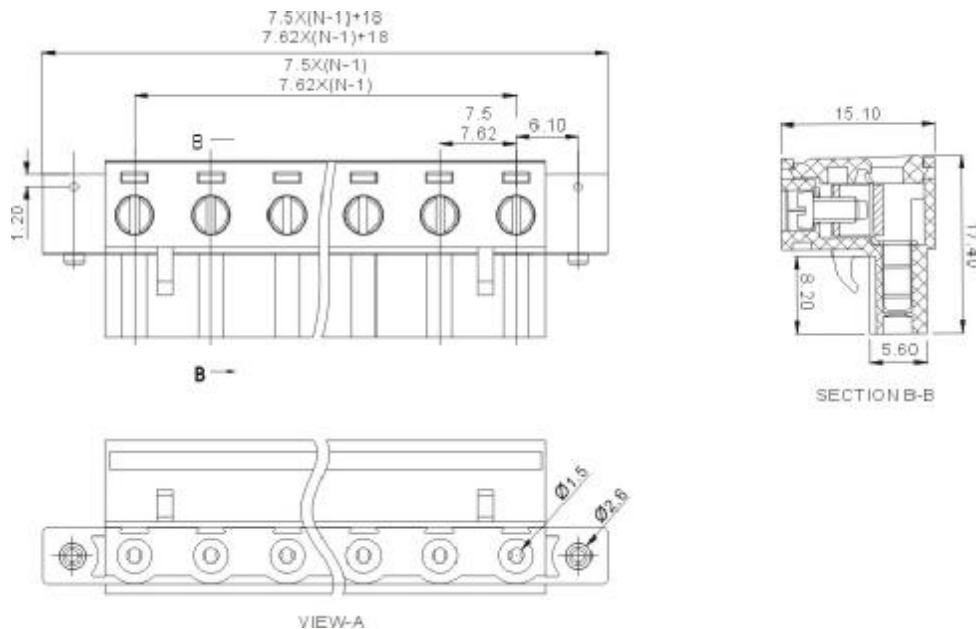


APPROVAL		
Electrical		
Standard	UL	IEC
Rated voltage	300V	400V
Rated current	15A	20A
Wire range	28-12AWG	2.5mm ²
Withstanding voltage	AC2500V/1Min	
Mechanical		
Torque	0.4Nm(3.5Lb-In)	
Ambient temperature	-40°C~+105 °C	
Strip length	7mm	
Dimensions		
Pitch	7.5mm(.295") 7.62mm(.300")	
Poles	2P-12P	
Material		
Housing	PA66,UL94 V-0	
Screws	M2.5,Steel, Cr ³⁺ Zn-plated	
Contact	Phosphor bronze	
Cage	Brass,Ni-plated	



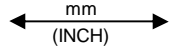


HOW TO ORDER :

- **P** - -

X	X	X
---	---	---

Customer Request

Series number	No. of pole	Color									
1	1 Single pitch 2 Double pitch	<table border="1"> <tr><td>1 Grey</td><td>4 Green</td><td>7 Trans Parent</td></tr> <tr><td>2 Blue</td><td>5 Orange</td><td>8 Yellow</td></tr> <tr><td>3 Black</td><td>6 Red</td><td>9 White</td></tr> </table>	1 Grey	4 Green	7 Trans Parent	2 Blue	5 Orange	8 Yellow	3 Black	6 Red	9 White
1 Grey	4 Green	7 Trans Parent									
2 Blue	5 Orange	8 Yellow									
3 Black	6 Red	9 White									

 mm (INCH)	 DEGSON ELECTRONICS CO., LTD.
 THROANGLE PROJECTION	NAME 2EDGKM-7.5 2EDGKM-7.62