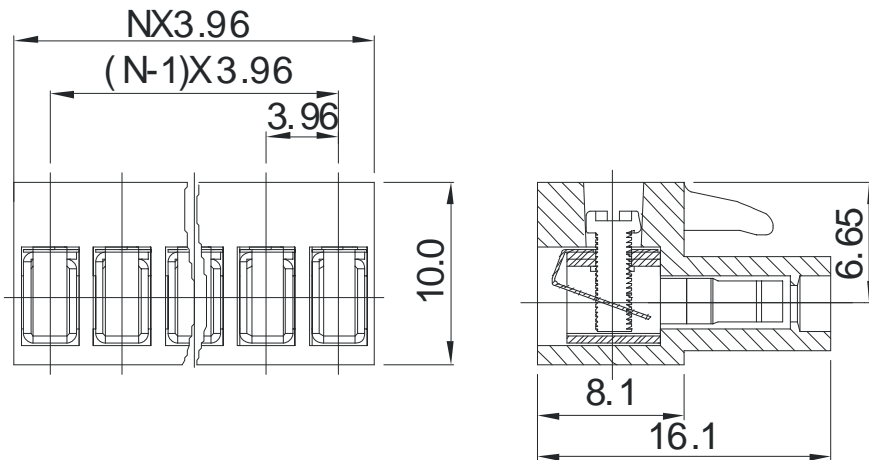


CE

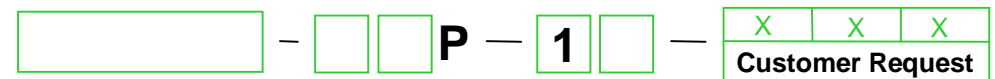


HT396K-3.96



APPROVAL	CE	
Electrical		
Standard	UL	IEC
Rated voltage	150V	250V
Rated current	8A	15A
Wire range	28-14AWG	1.5mm ²
Withstanding voltage	AC2000V/1Min	
Mechanical		
Torque	0.2Nm(1.7Lb-In)	
Ambient temperature	-40°C~+105 °C	
Strip length	7mm	
Dimensions		
Pitch	3.96mm(.156")	
Poles	2P-24P	
Material		
Housing	PA66,UL94 V-0	
Screws	M2,Steel,Ni-plated	
Contact	Brass,Ni-plated	
Wire guard	Phosphor bronze	

HOW TO ORDER :



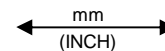
Series number

No. of pole

1	Single pitch
2	Double pitch

Color

1	Grey	4	Green	7	Trans Parent
2	Blue	5	Orange	8	Yellow
3	Black	6	Red	9	White



DEGSON ELECTRONICS CO., LTD.

NAME

HT396K-3.96