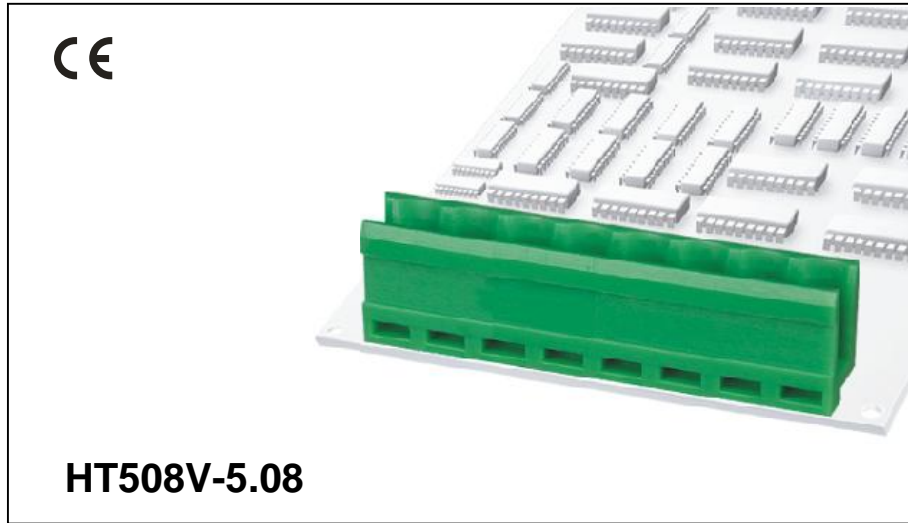


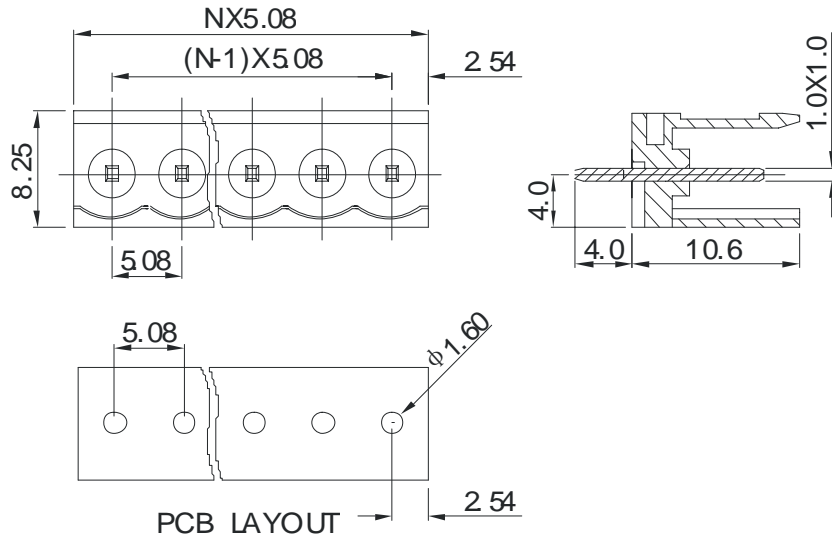


DEGSON ELECTRONICS CO., LTD.

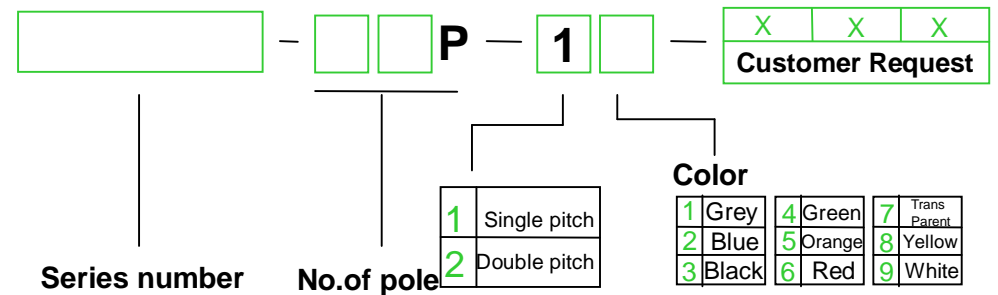
Product Specification



APPROVAL	CE	
Electrical		
Standard	UL	IEC
Rated voltage	150V	320V
Rated current	12A	20A
Withstanding voltage	AC2500V/1Min	
Mechanical		
Ambient temperature	-40°C~+105 °C	
Dimensions		
Pitch	5.08mm(.200")	
Poles	2P-24P	
Material		
Housing	PA66,UL94 V-0	
Pin header	Brass,Tin-plated	



HOW TO ORDER :



	DEGSON ELECTRONICS CO., LTD.
	NAME HT508V-5.08