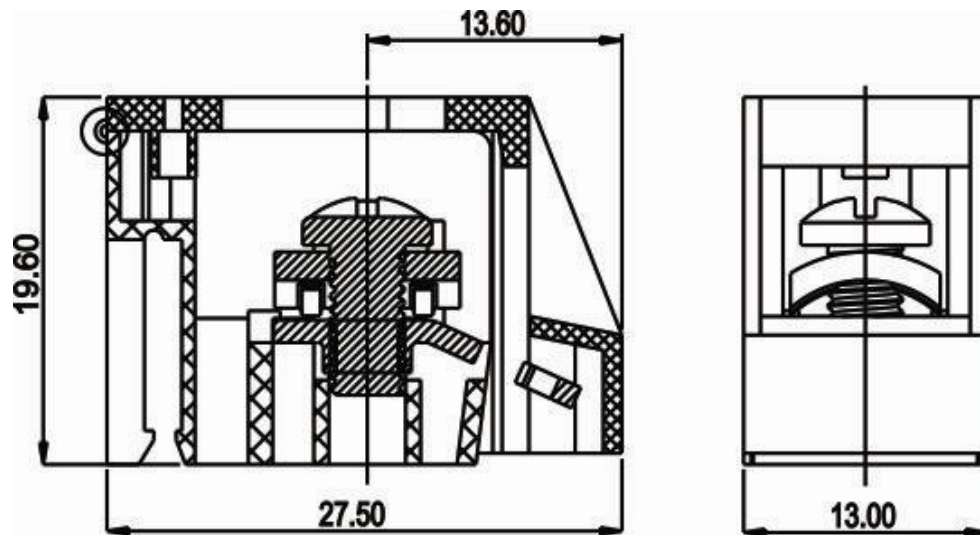




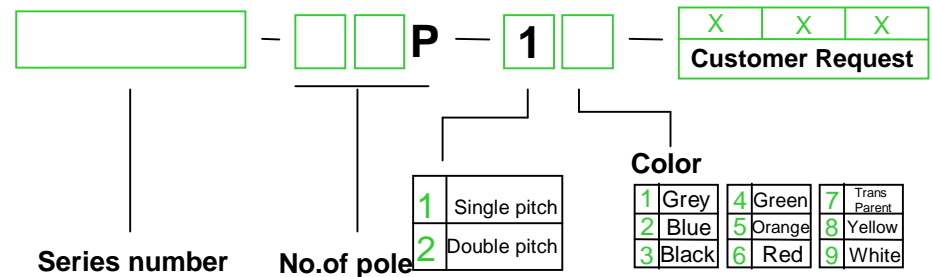
DEGSON ELECTRONICS CO., LTD.

Product Specification



APPROVAL		
Electrical	UL	IEC
Standard	600V	450V
Rated voltage	30A	32A
Rated current	20-12AWG	0.5-4.0mm ²
Wire range	AC2500V/1Min	
Withstanding voltage		
Mechanical		
Torque	1.2Nm(10.5Lb-In)	
Ambient temperature	-40°C~+105 °C	
Strip length	8-10mm	
Dimensions		
Pitch	13.0mm(.512")	
Poles	1P	
Material		
Housing	PA66,UL94V-0	
Screws	M4, Steel,Cr ³⁺ Zn plated	
Contact	Copper, Tin plated	

HOW TO ORDER :



	DEGSON ELECTRONICS CO., LTD.
	NAME TSB4