



# MEAN WELL

SWITCHING POWER SUPPLY  
ISO-9001 CERTIFIED MANUFACTURER

MWP-602(A)  
(53020)  
MWP-606(A)

- .LOW COST, HIGH RELIABILITY
- .105°C OUTPUT CAPACITOR
- .INTERNATIONAL AC INPUT RANGE
- .BUILT IN EMI FILTER, LOW RIPPLE NOISE
- .HIGH EFFICIENCY, LOW WORKING TEMPERATURE
- .SOFT-START CIRCUIT, LIMITING AC SURGE CURRENT
- .SHORT CIRCUIT, OVERLOAD PROTECTED
- .COMPACT SIZE, LIGHT WEIGHT
- .100% FULL LOAD BURN-IN TEST
- .OUTPUT VOLTAGE CORRECTION LED



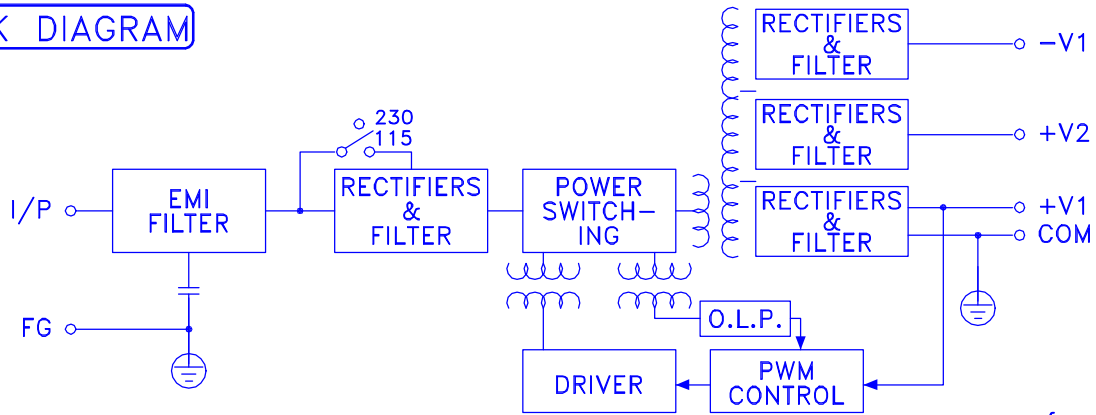
SPECIFICATION	MODEL	MWP-602/MWP-602A(53020)			MWP-606/MWP-606A		
		CH1	CH2	CH3	CH1	CH2	CH3
DC OUTPUT VOLTAGE		5V	12V	-5V	5V	12V	-5V
OUTPUT V. TOLERANCE		±2%	±8%	±10%	±2%	±8%	±10%
OUTPUT RATED CURRENT		15A	2A	1A	15A	2A	1A
OUTPUT CURRENT RANGE		3-15A	0.2-3A	0.1-1A	3-15A	0.2-4A	0.1-1A
RIPPLE & NOISE		50mVp-p	120mVp-p	60mVp-p	50mVp-p	120mVp-p	60mVp-p
LINE REGULATION		±0.5%	±1%	±1%	±0.5%	±1%	±1%
LOAD REGULATION		±1%	±6%	±8%	±1%	±6%	±8%
DC OUTPUT POWER		104W			104W		
EFFICIENCY		75%			75%		
DC VOLTAGE ADJ.		CH1:4.7-5.8Vref.			CH1:4.75-5.5Vref.		
INPUT VOLTAGE RANGE		88~132VAC / 176~264VAC SELECTED BY SWITCH 47~63Hz; 240~370VDC					
AC CURRENT		2.6A/115V 1.3A/230V					
INRUSH CURRENT		COLD START 20A/115V 40A/230V					
LEAKAGE CURRENT		<0.5mA/240VAC					
OVERLOAD PROTECTION		105%~150% TYPE:FOLDBACK CURRENT SHUTDOWN RESET:RE-POWER ON					
OVER VOLTAGE PROTECTION		-----					
OPERATING DISPLAY		602A, 606A DOUBLE COLOR LED CORRECT RANGE:GREEN(5-5.4Vref.) WRONG RANGE:RED					
TEMP. COEFFICIENT		±0.05% / °C (0~50°C) ON +5V OUTPUT					
SETUP, RISE, HOLD UP TIME		200ms, 50ms, 16ms					
VIBRATION		10~500Hz, 2G 10min./1cycle, PERIOD FOR 60min. EACH AXES					
WITHSTAND VOLTAGE		I/P-O/P:1.5KVAC I/P-FG:1.5KVAC O/P-FG:0.5KVAC					
ISOLATION RESISTANCE		I/P-O/P, I/P-FG, O/P-FG:500VDC / 100M Ohms					
WORKING TEMP., HUMIDITY		-10°C~+60°C(REFER TO OUTPUT DERATING CURVE), 20%~90% RH					
STORAGE TEMP., HUMIDITY		-20°C~+85°C, 10%~95% RH					
DIMENSION		180*110*50mm CASE:602 203*115*50mm WITH TERMINAL & FIXED IRON					
WEIGHT		0.9Kgs					
SAFETY STANDARDS		MEET UL1012 REQUIREMENT (NOT APPLY FOR THE MARK)			UL1950, TUV EN60950 APPROVED		
EMC STANDARDS		-----			CISPR22 (EN55022) CLASS B, IEC801-2,3,4, IEC555-2 VERIFICATION		

- NOTE :
- 1.ALL PARAMETERS ARE SPECIFIED AT 230VAC INPUT, RATED LOAD, 25°C 70% RH. AMBIENT.
  - 2.TOLERANCE INCLUDE SET UP TOLERANCE, LINE REGULATION, LOAD REGULATION.
  - 3.RIPPLE & NOISE ARE MEASURED AT 20MHz BY USING A 12" TWISTED PAIR TERMINATED WITH A 0.1µF & 47µF CAPACITOR.
  - 4.LINE REGULATION IS MEASURED FROM LOW LINE TO HIGH LINE AT RATED LOAD.
  - 5.LOAD REGULATION IS MEASURED FROM 20% TO 100% RATED LOAD, AND OTHER OUTPUT AT 60% RATED LOAD.
  - 6.EACH OUTPUT PROVIDE UP TO MAXIMUM CURRENT, BUT TOTAL LOAD CAN NOT EXCEED MAX. OUTPUT POWER.

JUN 09 98

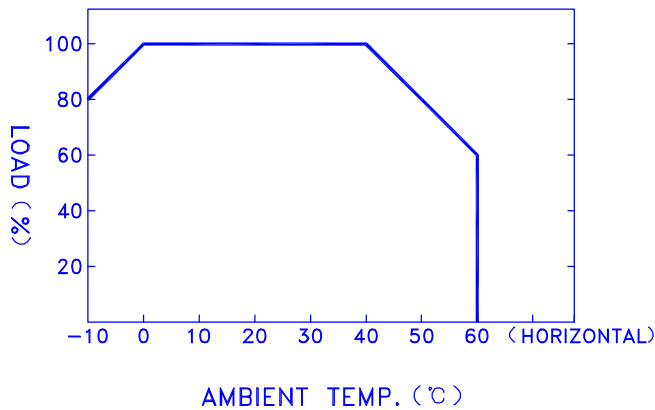
# MWP-602 (A) / 53020 / MWP-606 (A)

## BLOCK DIAGRAM

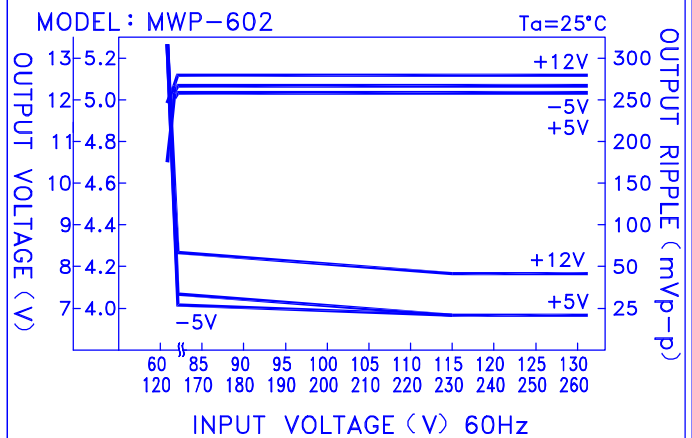


fosc : 25KHz

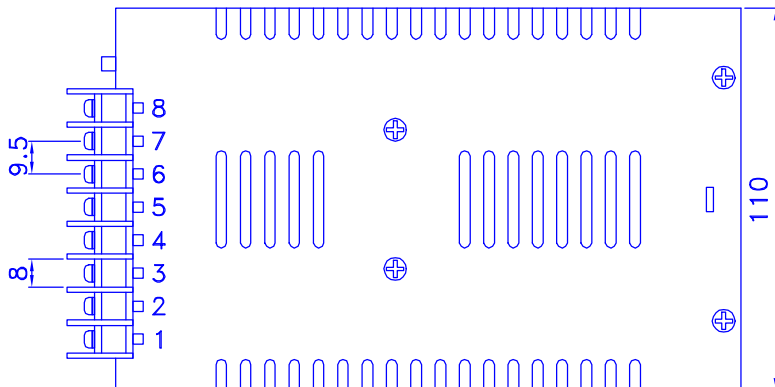
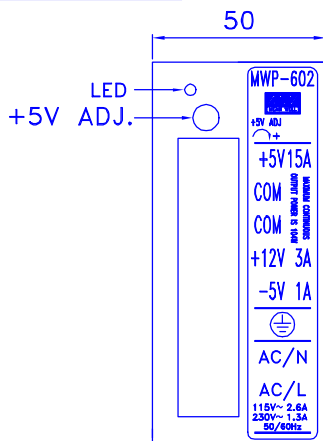
## OUTPUT DERATING



## STATIC CHARACTERISTICS



## DIMENSION (mm)



- ☒ CASE : 602
- ☒ TERMINAL PIN NO. ASSIGNMENT
  - ☒ PIN 1,2 : AC INPUT
  - ☒ PIN 3 : FG (⊕)
  - ☒ PIN 4 : DC OUTPUT -5V
  - ☒ PIN 5 : DC OUTPUT +12V
  - ☒ PIN 6,7 : DC OUTPUT COM
  - ☒ PIN 8 : DC OUTPUT +5V

4-∅2.6 L=5mm

