



INDEX

TOGGLE

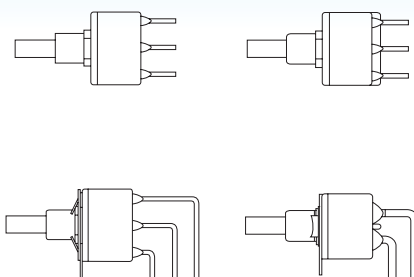
ROCKER

SLIDE

PUSH BUTTON

DIP

TACT



SPECIFICATIONS

CONTACT RATING: 1A @120 VAC or 28 VDC
 ELECTRICAL LIFE:50,000 make-and-break cycles at full load
 CONTACT RESISTANCE: 20 mΩ max. initial @2-4 VDC,100 mA
 INSULATION RESISTANCE: 1,000 MΩ min.
 DIELECTRIC STRENGTH: 1,000 V RMS @ sea level.
 OPERATING TEMPERATURE: -30°C to +85°C

MATERIALS

CASE & BUSHING - Glass filled nylon 6/6 or nylon 4/6 (UL94V-0)
 PLUNGER - Glass filled nylon or glass filled polyester (UL94V-0), with internal o-ring seal standard
 SWITCH SUPPORT - Copper alloy or steel, tin plated
 CONTACT AND TERMINAL - Copper alloy, silver plated
 TERMINAL SEAL - Epoxy

How do you build the switches you need!!

The straight type, please see the (A);

The right angle P.C terminals, please see the (B)

(A) N E 8 7 0 1 - C V 1 - 2 - N - C Q - S 2 0 -

Switches Function		Cap		Cap color		Bushing		Contact Material		RoHS code
NE8701	SPDT on-mon	none	(none)	1	white	E	Thd. Key-way 8.89	Q	silver plated	H = RoHS Compliant
NE8702	DPDT on-mon	CV	5.08	2	black	N	Non-thd/key-way 6.35	R	gold plated	
		CV1	7.70	3	red			G	gold over silver	
		CV2	9.53	4	orange					
		CV4	dress nut	5	yellow					
				6	green					
				7	blue					
				9	gray					
						Termination				
						B	solder lug			Vertical support Bracket
						C	P.C 1.27width			
								(none)		
								S20	11.68	

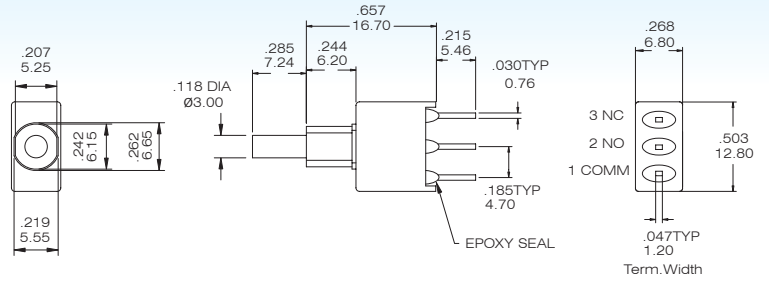
(B) N E 8 7 0 1 - A 4 - C V 1 - 2 - N - Q -

Switches Function		Right Angle		Cap		Cap color		Bushing		RoHS code
NE8701	SPDT on-mon	A4	Horizon	none	(none)	1	white	N	(Std.) non-thd/key-way	H = RoHS Compliant
NE8702	DPDT on-mon	A5	Vertical	CV	5.08	2	black			
				CV1	7.70	3	red			
				CV2	9.53	4	orange			
						5	yellow			
						6	green			
						7	blue			
						9	gray			
								Contact Material		
								Q	silver plated	
								R	gold plated	
								G	gold over silver	



SPDT

Model No.	Switching position	
NE8701	on	mom
Term. Comm.	1-3	1-2

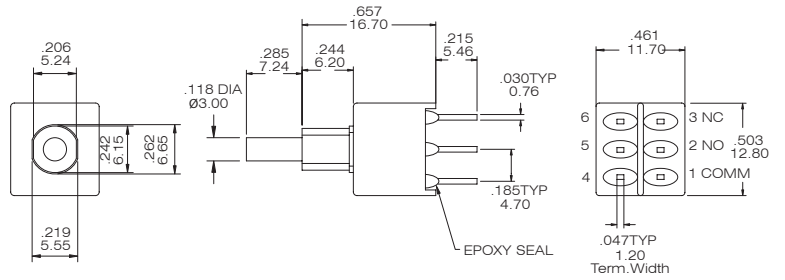
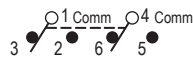


NE8701-NCQ

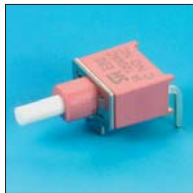


DPDT

Model No.	Switching position	
NE8702	on	mom
Term. Comm.	1-3 4-6	1-2 4-5

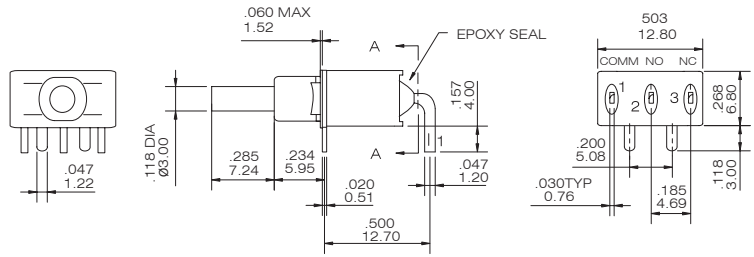


NE8702-NCQ



SPDT

Model No.	Switching position	
NE8701-A4	on	mom
Term. Comm.	1-3	1-2

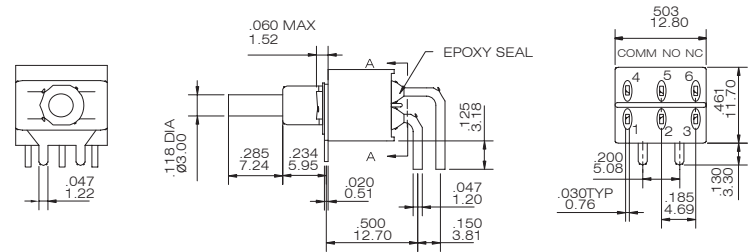


NE8701-A4-NQ

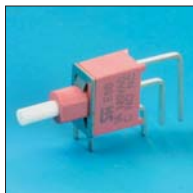


DPDT

Model No.	Switching position	
NE8702-A4	on	mom
Term. Comm.	1-3 4-6	2-2 4-5

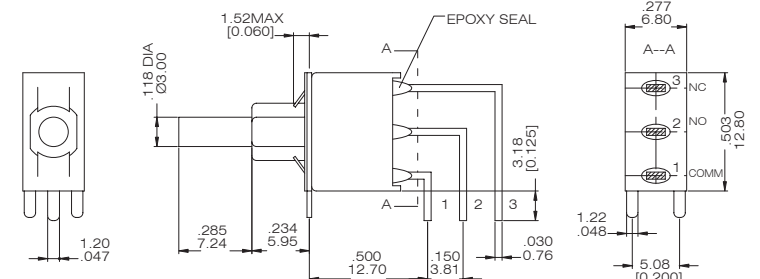


NE8702-A4-NQ

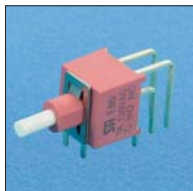


SPDT

Model No.	Switching position	
NE8701-A5	on	mom
Term. Comm.	1-3	1-2

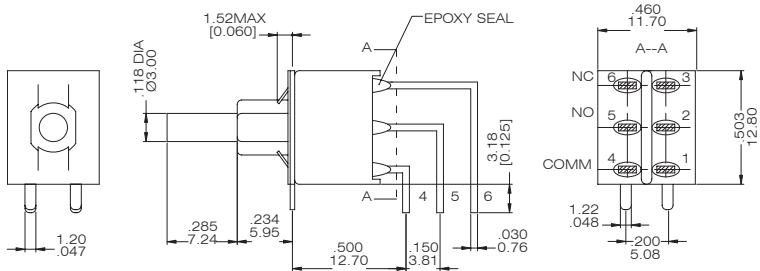


NE8701-A5-NQ



DPDT

Model No.	Switching position	
NE8702-A5	on	mom
Term. Comm.	1-3 4-6	2-2 4-5



NE8702-A5-NQ

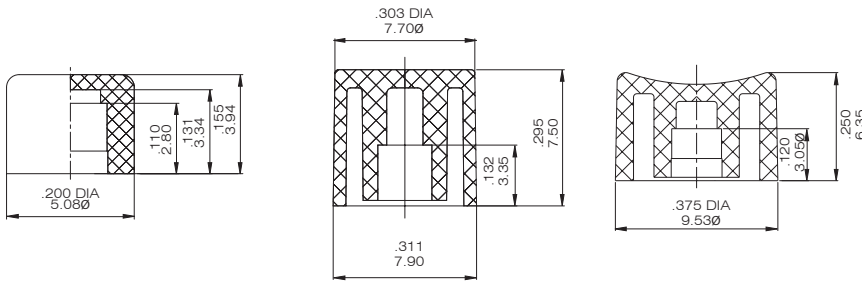
Cap Option

Cap color Option

CV

CV1

CV2

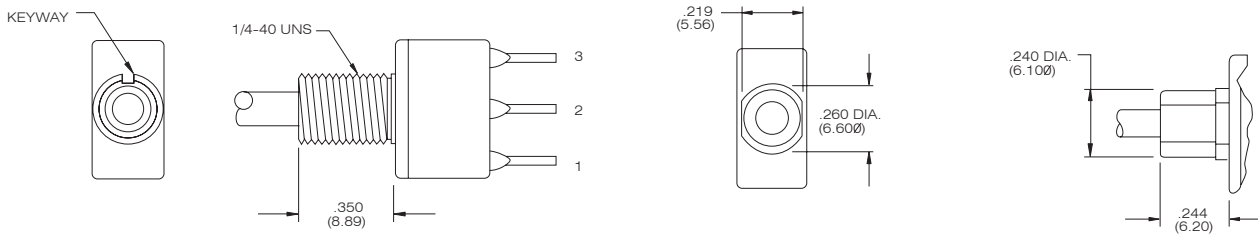


CAP & ACTUATOR OPTIONS	
1	White
2	Black(Std.)
3	Red
4	Orange
5	Yellow
6	Green
7	Blue
9	Gray

Bushing Option

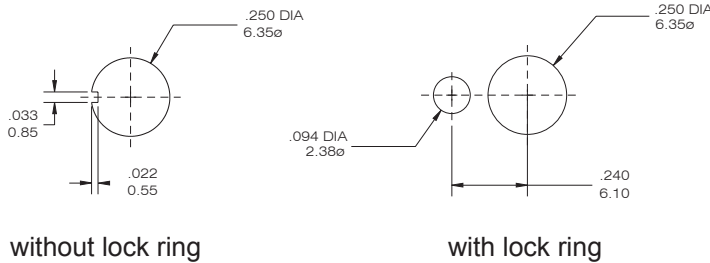
E

N



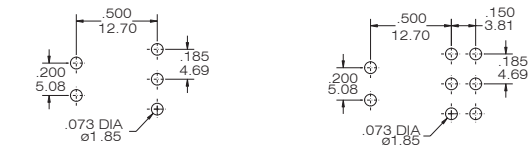
Panel mounting Dimension

P.C.B. mounting Dimension



NE8701-A4

NE8702-A4



TERMINAL OPTION (only for the straight type)

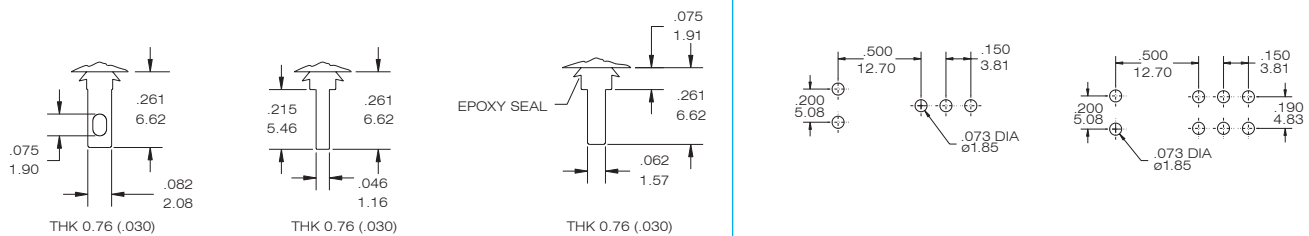
B STD

C PRINTED CIRCUIT

D QUICK CONNECT

NE8701-A5

NE8702-A5



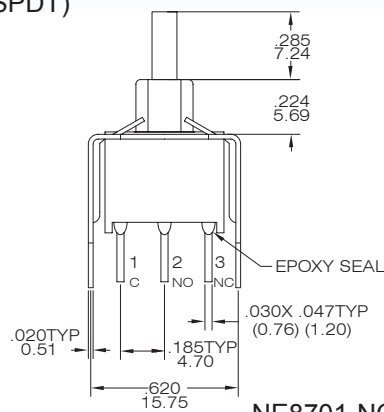
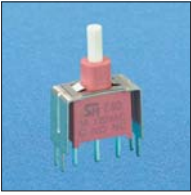
CONTACT MATERIAL OPTION

CODE	CONTACT MATERIAL	TERMINAL MATERIAL	RATING
Q	Silver plated	Silver plated	1A @ 120V AC or 28 V DC;
R	Gold plated over nickel plated	Gold plated over nickel plated	0.4 VA MAX @ 20V AC or DC MAX
G	Gold plated over silver plated	Gold plated over silver plated	0.4 VA MAX @ 20 V AC or DC MAX or 1 A @ 120V AC or 28 V DC;

VERTICAL SUPPORT BRACKET OPTION

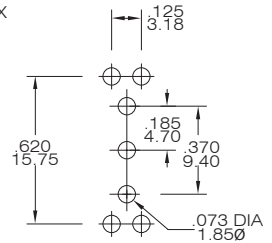
(only apply the straight type terminal. Please build the terminal option is "C" code)

S20 (SPDT)

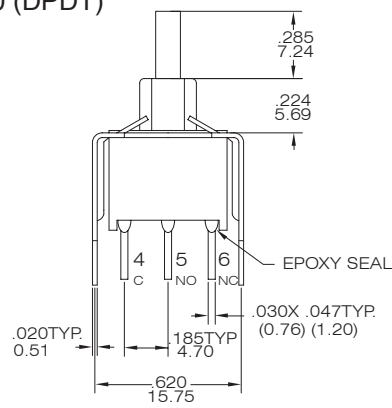
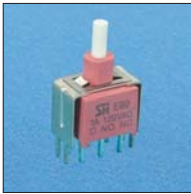


NE8701-NCQ-S20

P.C. MOUNTING

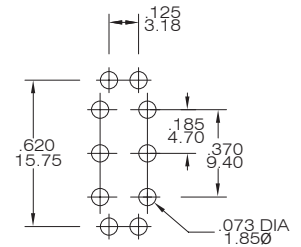


S20 (DPDT)



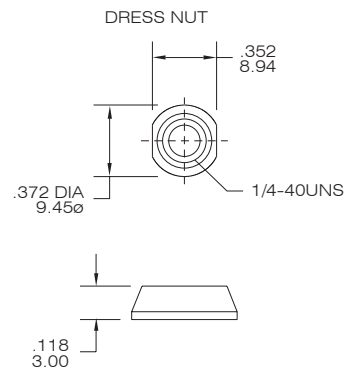
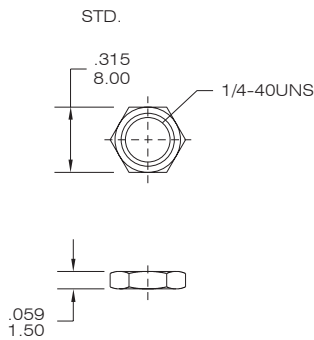
NE8702-NCQ-S20

P.C. MOUNTING

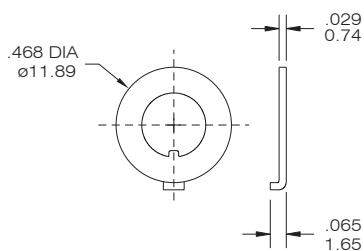


The hard ware of E80-P push button switches

NUT



LOCKING RING



LOCK WASHER

